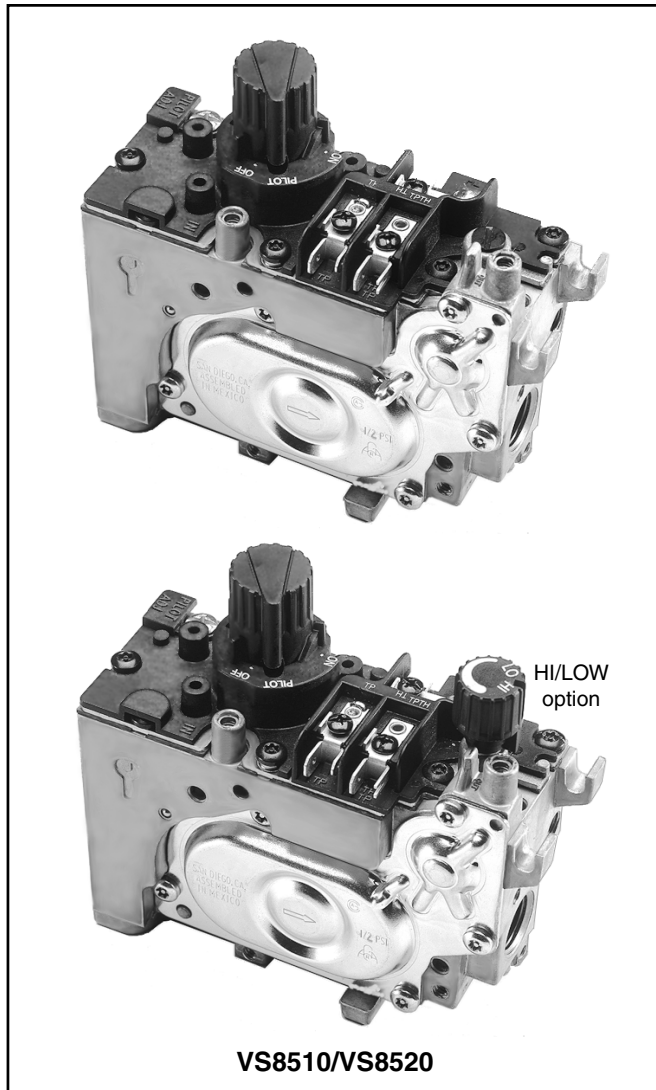


## VS8510/VS8520 Millivolt Combination Gas Control

### PRODUCT DATA



### FEATURES

- For use with 750mV thermopile generator.
- VS8510 has operator and power unit powered by 750mV thermopile generator.
- VS8520 has operator powered by 750mV thermopile and power unit powered by 30mV thermocouple.
- Vented and vent free models.
- Available with standard or high/low regulators.
- Capacity rated at 60,000 BTUH at 1" wc pressure drop. Maximum regulation capacity is 100 BTUH and minimum regulated capacity is 10 BTUH. All capacities are with side inlet.
- Adjustable servo regulator maintains almost constant gas outlet pressure over a wide range of gas supply pressures.
- Models available with 0°F to 175°F (-18°C to 79°C), -40°F to 175°F (-40°C to 79°C), 0°F to 225°F (-18°C to 107°C).
- Multiple inlet and output main gas connections with NPT or BSP.
- Multiple pilot outlet and thermocouple locations.
- European style inlet and outlet pressure taps.
- Programmed lighting sequence with safe lighting pilot system and safety shutoff.
- Fine mesh inlet screen included optional outlet screen.
- Multiple mounting holes can be mounted at any angle between 0 and 90 degrees from the top upright position (knob on top).
- Latching device interlock eliminates involuntary re-ignition of the main burner.
- Snap-open opening characteristics.
- Compact.
- ECO (Energy Cut-Off) option.

### APPLICATION

The VS8510 and VS8520, millivolt combination gas controls, are low capacity compact size millivolt operated gas valves, see Figure 1. They are designed for use in small gas appliances burning either LP or natural gas. Primary appliance applications include gas fireplaces, fireplace inserts, log sets, free standing stoves, wall furnaces, and room space

The VS8510 and VS8520 millivolt gas valves are approved in accordance with IAS (AGA and CGA).

### Contents

Application .....	1
Features .....	1
Specifications .....	2
Ordering Information .....	2
Installation .....	5
Startup and Checkout .....	7
Service .....	12
Accessories .....	12



## SPECIFICATIONS

### IMPORTANT

*The specifications given in this publication do not include normal manufacturing tolerances. Therefore, this unit may not exactly match the listed specifications. Also, this product is tested and calibrated under closely controlled conditions, and some minor differences in performance can be expected if those conditions are changed.*

### Models

VS8510 circuit consists of a gas valve, thermopile, millivolt thermostat, and a pilot burner. VS8510 has operator and power unit powered by 750mV Thermopile generator

VS8520 circuit consists of a gas valve, quick dropout thermocouple, thermopile, millivolt thermostat and a pilot burner. VS8520 has operator powered by 750mV Thermopile and the power unit powered by 30mV Quick Dropout Thermocouple. When the appliance standard requires a gas valve with a fast dropout thermocouple, use the VS8520.

### Options:

**High/Low Adjustable Pressure Regulator**—This option is available on both models and provides a main burner regulator with preset maximum and minimum pressure settings for natural and LP gases. This regulator has infinite adjustment between minimum and maximum pressure settings.

**Convertible Pressure Regulator**—Available on standard models only. Converts factory natural gas setting to LP gas setting by removing the regulator adjustment screw and adding a LP spring then adjusting the screw to obtain the desired outlet pressure.

**Outlet Screen**—Wire mesh outlet screen prevents debris such as thread dope from getting into valve from outlet opening.

**Inlet and Outlet Mounting Threads**—Optional mounting threads are available on the inlet and outlet sided with M5X0.8 or #10-24 threads.

**Additional**—Table 1 lists more model configuration identifications.

**Table 1. VS8510/VS8520 Configurations**

Model Suffix Letter	Pressure Regulator Type	Ambient Temperature Range
A	Standard	0°F to 175°F (-18°C to 79°C)
D	High/Low	0°F to 175°F (-18°C to 79°C)
E	Convertible High/Low	0°F to 175°F (-18°C to 79°C)
M	Standard	-40°F to 175°F (-40°C to 79°C)
Q	High/Low	-40°F to 175°F (-40°C to 79°C)
R	Convertible High/Low	-40°F to 175°F (-40°C to 79°C)
K	Standard	0°F to 225°F (-18°C to 107°C)
L	High/Low	0°F to 225°F (-18°C to 107°C)
N	Convertible High/Low	0°F to 225°F (-18°C to 107°C)

## ORDERING INFORMATION

When purchasing replacement and modernization products from your TRADELINE® wholesaler or distributor, refer to the TRADELINE® Catalog or price sheets for complete ordering number.

1. Model
2. Tip style
3. Type of gas
4. Accessories

If you have additional questions, need further information, or would like to comment on our products or services, please write or phone:

1. Your local Home and Building Control Sales Office (check white pages of your phone directory).
2. Home and Building Control Customer Relations  
Honeywell, 1885 Douglas Drive North  
Minneapolis, Minnesota 55422-4386

In Canada—Honeywell Limited/Honeywell Limitée, 35 Dynamic Drive, Scarborough, Ontario M1V 4Z9.

International Sales and Service Offices in all principal cities of the world. Manufacturing in Australia, Canada, Finland, France, Germany, Japan, Mexico, Netherlands, Spain, Taiwan, United Kingdom, U.S.A.

**Model Voltage and Capacity:**

See Table 2.

**Table 2. VS8510/VS8520 Voltage and capacity ratings.**

Model	Operator	Thermocouple	Capacity at 1" pd with Side Inlet	Capacity at 1" pd with Bottom Inlet	Minimum Regulated Capacity	Maximum Regulated Capacity
VS8510	750 mV	-----	60,000 BTUH	50,000 BTUH	10,000 BTUH	100,000 BTUH
VS8520	750 mV	30 mV	60,000 BTUH	50,000 BTUH	10,000 BTUH	90,000 BTUH

**Regulation Capabilities:**

See Table 3.

**Table 3. HI/LO and Standard Regulator Specification Pressures in inches wc(kPa)**

Type of Gas	HI/LO Regulator Setting Ranges	Standard Regulator Setting Ranges
Natural	3.0 - 3.7 / 1.2 - 3.5 in.	3.0 in. Minimum to 5.0 in. Maximum
LP	9.0 - 12 / 3.5 - 6.5 in.	8.0 in. Minimum to 12.0 in. Maximum

**Main Gas Connection:**

The Millivolt Combination Gas Control has a 3/8 in. thread, NPT or BSP.

**Pilot Gas Connection and Flow:**

- Connection size: 7/16 –24 UNS.
- Flow 1700 Btuh/H at 4.0 in. w.c. inlet.
- Option M10x1 connection.

**Pilot Location:**

- Inlet side.
- Bottom.

**Thermocouple Size/Connections:**

- 11/32-32 UNS double lead.
- Outlet.
- Bottom.
- Option MM10x1 connection.

**Inlet/Outlet Options:**

- Straight through.
- Bottom.
- 3/8" x 3/8" NPT or BSP.

**Thermocouple and Pilot:**

- Metric or UNS.

**Ambient Temperature:**

- 0°F to 175°F (-18°C to 79°C).
- Option for -40°F (-40°C), 225°F (107°C).

**Shipping Temperature:**

-40°F to 175°F (-40°C to 79°C).

**Pressure Regulation:**

Servo regulator with adjustable outlet pressure. Typically 3.5 in. wc for natural gas; 11 in. wc for LP.

**Interrupter (ECO):**

1/4 in. tab connectors.

**Pressure Taps:**

European style inlet and outlet.

**Opening Characteristics:**

Snap open.

**Screens:**

Fine mesh inlet screen standard; optional outlet screen.

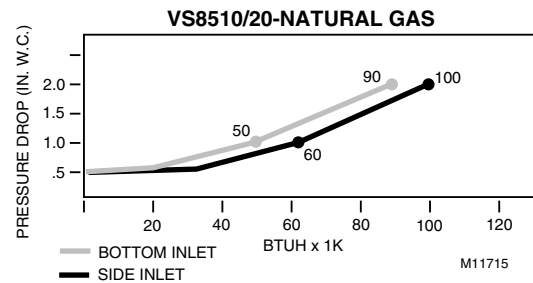
**Approvals:**

International Approval Services (IAS) Certificate: C2030022.  
European Community (CE) Certificate pending.  
Australian Gas Approval pending.

**IAS Rated Capacity**

- 60,000 BTUH at 1 in. wc pressure drop for side inlet.
- 50,000 BTUH at 1 in. wc pressure drop for bottom inlet.

**PRESSURE DROP CAPACITY CURVE – NATURAL GAS**



**Pressure Rating:**

IAS rating to maximum 1/2 LB. PSI inlet pressure.

**Electrical Ratings:**

- 30 mV power unit resets with a maximum of 300mA applied and dropout between 250mA and 70mA.
- 750mV power unit resets with a maximum of 15mA applied and drop out between 7mA and 3mA.

**Inlet and Outlet Connections:**

- Inlet and outlet on side.
- Inlet and Outlet on bottom.
- Inlet on side and outlet on bottom and on side.
- Inlet on bottom and outlet on side.

**Safety Valve Configurations:**

- Safety valve and operator are powered by thermopile (Q313)-vented.
- Safety valve is powered by fast dropout thermocouple (Q335) and thermopile powers operator (Q313)-vented.
- Safety valve is powered by thermocouple in oxygen depletion operator sensor (OPS) –vent free.

Thermocouple Connection (for fast dropout configuration)

- Connection size: 11/32-32 UNS double lead.
- Available in side or bottom outlet.

**Mounting:**

Mounting support in eight locations on valve No. 10-24 screw. Option M5X 0.8 screw; cored hole on diaphragm side accepts #10-24 screw.

**Dimensions**

See Figure 2 for the dimensions of the VS8510/VS8520 Models.

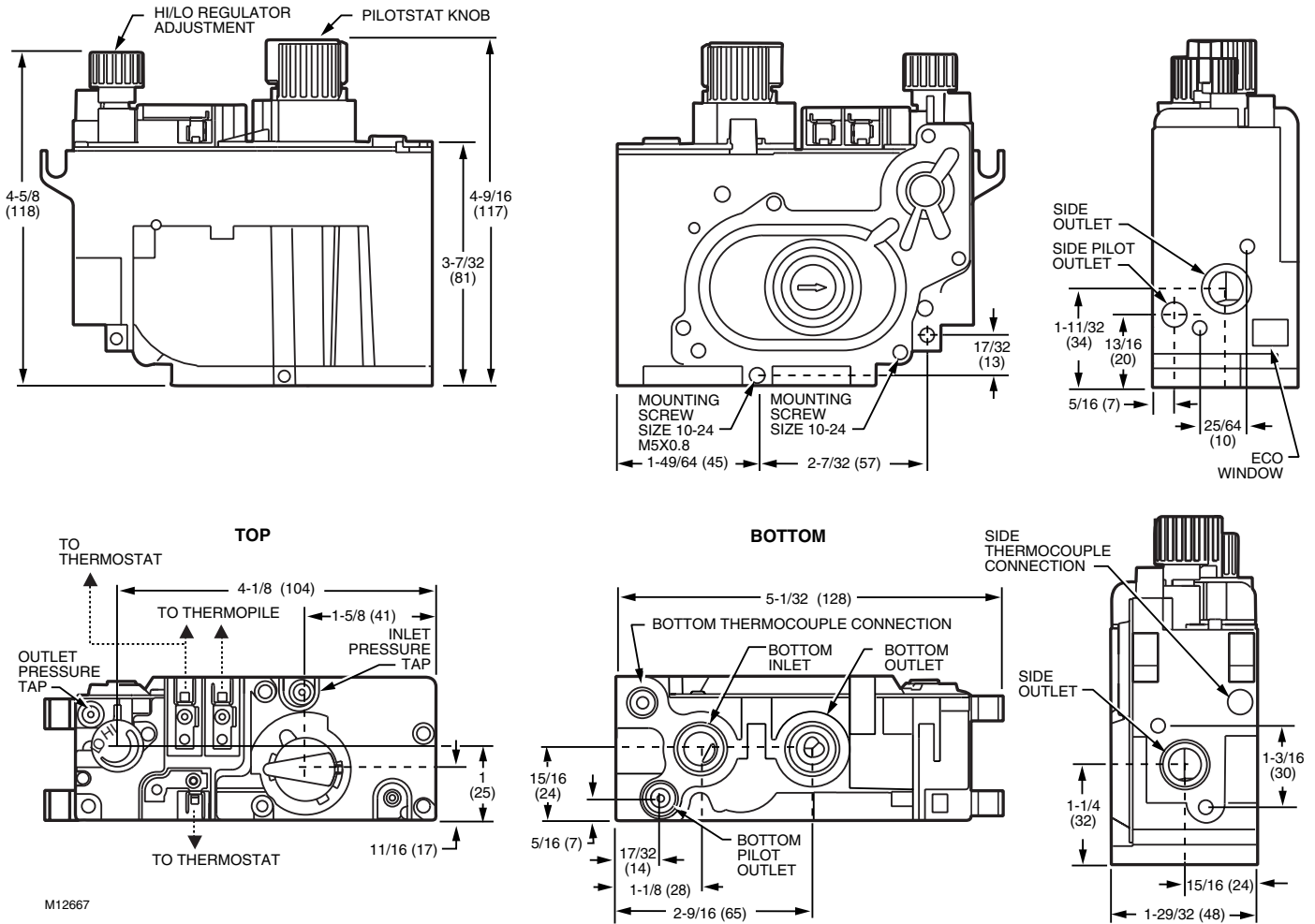


Fig. 1. VS8510/VS8520 Model dimensions.

## INSTALLATION

### When Installing this Product...

- Read these instructions carefully. Failure to follow them could damage the product or cause a life threatening hazardous condition.
- Check the ratings given in the instructions and on the product to make sure the product is suitable for your application.
- Installer must be a trained, experienced service technician.
- After installation is complete, check out product operation as provided in these instructions.

### WARNING

**Oxygen depletion hazard.**  
**Can cause injury or death due to asphyxiation.**

1. Use only vented gas valve models on vented appliances.
2. Use only unvented gas valve models on unvented appliances.

### WARNING

**Fire or explosion hazard.**  
**Can cause severe injury or death and property damage.**

Follow these warnings exactly:

1. Disconnect power supply before wiring to prevent electrical shock or equipment damage.
2. To avoid dangerous accumulation of fuel gas, turn off gas supply at the appliance service valve before starting installation, and perform a Gas Leak Test after the installation is complete.
  1. Always install the sediment trap in the gas supply line to prevent contamination of the gas control.
  2. Do not force the gas control knob. Use only your hand to turn the gas control knob. Never use any tools.
  3. If the gas control knob does not operate by hand, the gas control should be replaced by a qualified service technician. Force or attempted repair can result in fire or explosion.

### CAUTION

Equipment damage.  
Can burn out heat anticipator in thermostat.  
Never apply a jumper across or short the valve coil terminals.

#### **IMPORTANT**

*These gas controls are shipped with protective seals over the inlet and outlet tappings. Do not remove the seals until ready to connect the piping.*

Follow the appliance manufacturer instructions, if available; otherwise, use these instructions.

### Converting Between Natural and LP Gas

### WARNING

**Fire or explosion hazard.**  
**Can cause severe injury or death and property damage.**

1. Do not use a gas control set for natural gas on an LP gas system or a gas control set for LP gas on a natural gas system.
2. When making a conversion, the main pilot burner orifices must be changed to meet the appliance manufacturer specifications.

Refer to the appliance manufacturer instructions for orifice specifications and changeover procedure. Gas controls are factory-set for natural (and manufactured) or LP gas. Do not attempt to use a control set for natural (manufactured) gas on LP gas, or a control set for LP on natural (manufactured) gas.

Gas controls with standard regulator can be converted from one gas to the other with a conversion kit (ordered separately). Order part no. 395991 to convert from natural (manufactured) to LP gas. Order part no. 395992 to convert from LP to natural (manufactured) gas.

#### **Location**

Locate the combination gas control where it cannot be affected by steam cleaning, high humidity, dripping water, corrosive chemicals, dust or grease accumulation or excessive heat. To ensure proper operation, follow these guidelines:

- Locate gas control in a well-ventilated area.
- Mount gas control high enough to avoid exposure to flooding or splashing water.
- Ensure the ambient temperature does not exceed the ambient temperature ratings for each component.
- Cover gas control if appliance is cleaned with water, steam, or chemicals or to avoid dust and grease accumulation.
- Ensure the gas control is not located where exposure to corrosive chemical fumes or dripping water can occur.

#### **Install Piping to Gas Control**

All piping must comply with local codes and ordinances or with the National Fuel Gas code (ANSI Z223.1 NFPA No. 54), whichever applies. Tubing installation must comply with approved standards and practices.

1. Use new, properly reamed pipe free from chips. When tubing is used, ensure the ends are square, deburred and clean. All tubing bends must be smooth and without deformation.
2. Run pipe or tubing to the control. If tubing is used, obtain a tube-to-pipe coupling to connect the tubing to the control.
3. Install sediment trap in the supply line to the gas control. See Fig. 3.

#### **Install Control**

1. Mount control 0 to 90 degrees, in any direction, from the upright position of the gas control knob, including vertically.
2. Mount the control so gas flow is in the direction of the arrow on the side of the control.

3. Thread pipe 9/16 in. into the control. Do not insert deeper than 3/8 in. Valve distortion or malfunction can result if the pipe is inserted too deeply.
4. Apply a moderate amount of good quality pipe compound (do not use Teflon tape) to pipe only, leaving two end threads bare. On LP installations, use compound resistant to LP gas. See Fig. 3.
5. Remove seals over control inlet and outlet, if necessary.
6. Connect pipe to control inlet and outlet. Use wrench on either side of the pipe outlet. Refer to Fig. 2 through 6.

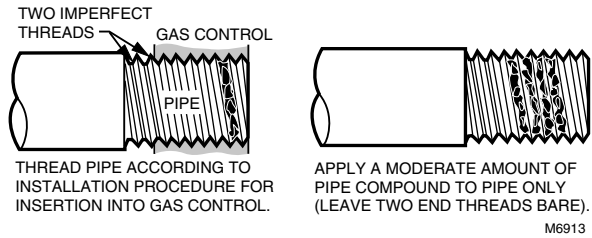
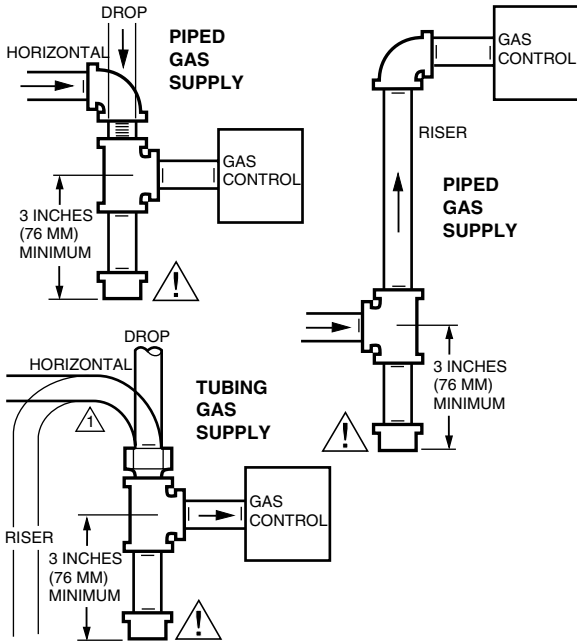


Fig. 3. Use moderate amount of pipe compound.



**CAUTION**  
**GAS LEAKAGE HAZARD**  
**FAILURE TO FOLLOW PRECAUTIONS CAN RESULT IN A GAS-FILLED WORK AREA.**  
 SHUT OFF THE MAIN GAS SUPPLY BEFORE REMOVING END CAP.  
 TEST FOR GAS LEAKAGE WHEN INSTALLATION IS COMPLETE.

ALL BENDS IN METALLIC TUBING SHOULD BE SMOOTH. M4603A

Fig. 2. Sediment trap installation.

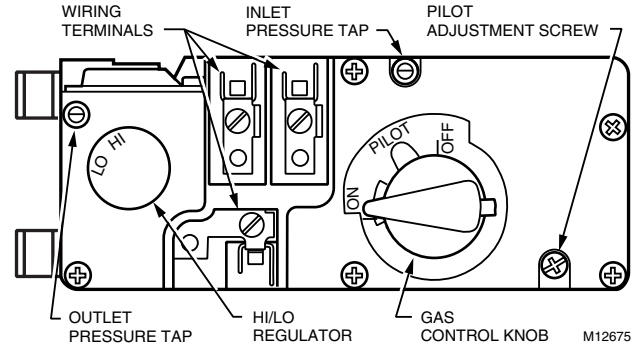


Fig. 4. Top view of gas control with HI/LO regulator.

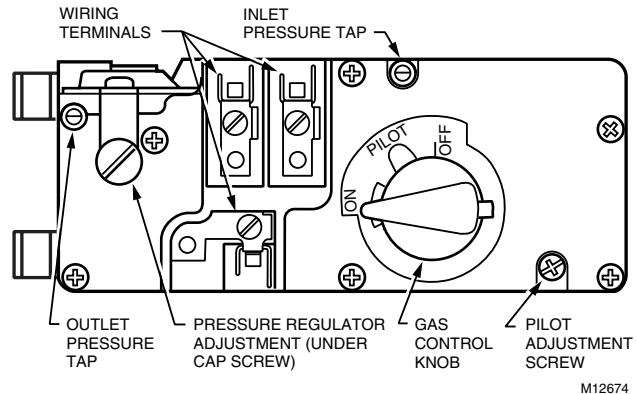


Fig. 5. Top view of gas control with standard regulator.

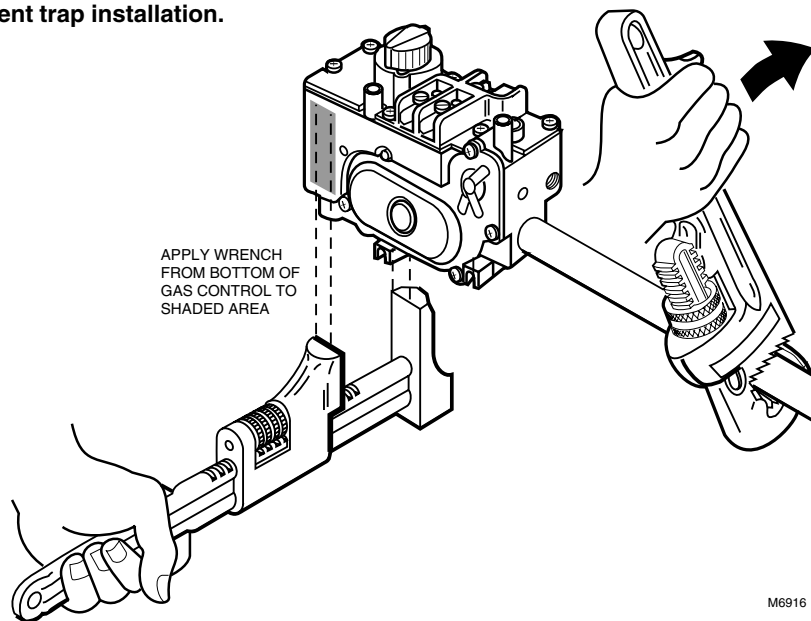


Fig. 6. Proper use of wrench on gas control.

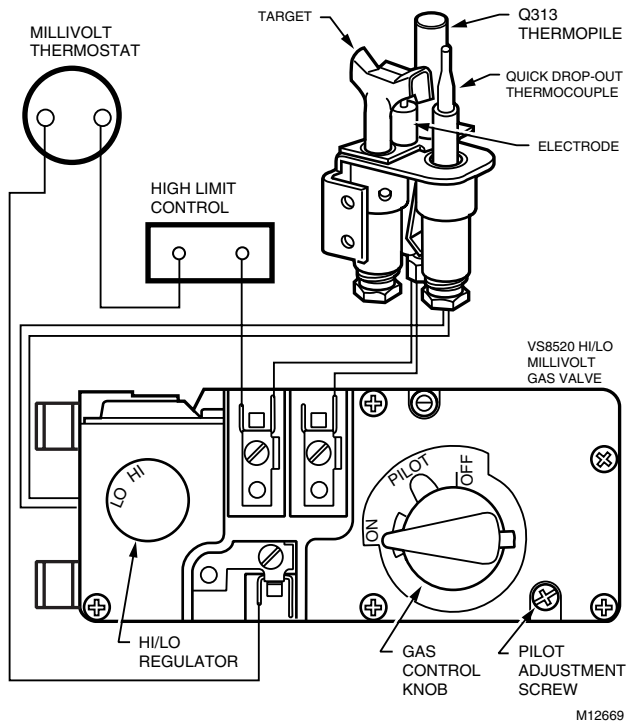
**Wiring**

Follow the wiring instructions furnished by the appliance manufacturer, if available, or use the general instructions provided below. Where these instructions differ from the appliance manufacturer, follow the appliance manufacturer instructions. For typical wiring diagrams, see Fig. 8 and 9.

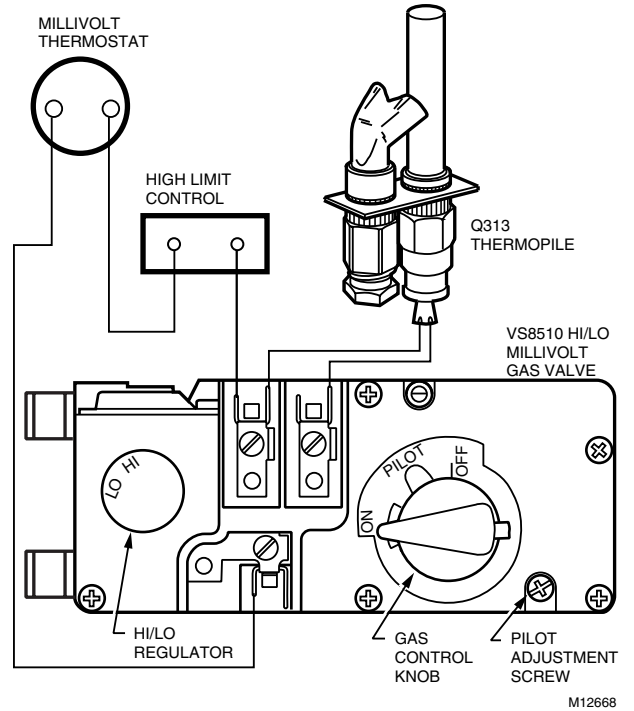
All wiring must comply with applicable electrical codes and ordinances.

Disconnect power supply before making wiring connections to prevent electrical shock or equipment damage.

1. Check the power supply rating on the gas control and make sure it matches the available supply. Install the transformer, thermostat, and other controls, as required.
2. This valve can only be used in a self-generating system.
3. Adjust the thermostat heat anticipator to the 0.1A at 750 mV rating stamped on the valve operator.



**Fig. 7. VS8520 Millivolt system wiring diagram with quick drop-out thermocouple.**



**Fig.8. VS8510 Millivolt system wiring diagram without quick drop-out thermocouple.**

**STARTUP AND CHECKOUT**

The Millivolt Gas Valve System has two configurations. The first configuration (VS8510) includes a gas valve, thermopile, millivolt thermostat, and a pilot burner. The thermopile drives the operator and the power unit. The second configuration (VS8520) includes a gas valve, quick drop-out thermocouple, thermopile, millivolt thermostat and a pilot burner. In this configuration, the thermopile drives the operator and the quick dropout thermocouple operates the power unit. Figures 9, 10, and 11 show how the gas flow is controlled for each position of the control knob.

## STANDING PILOT MILLIVOLT VALVE

OFF-POSITION (VALVES CLOSED)

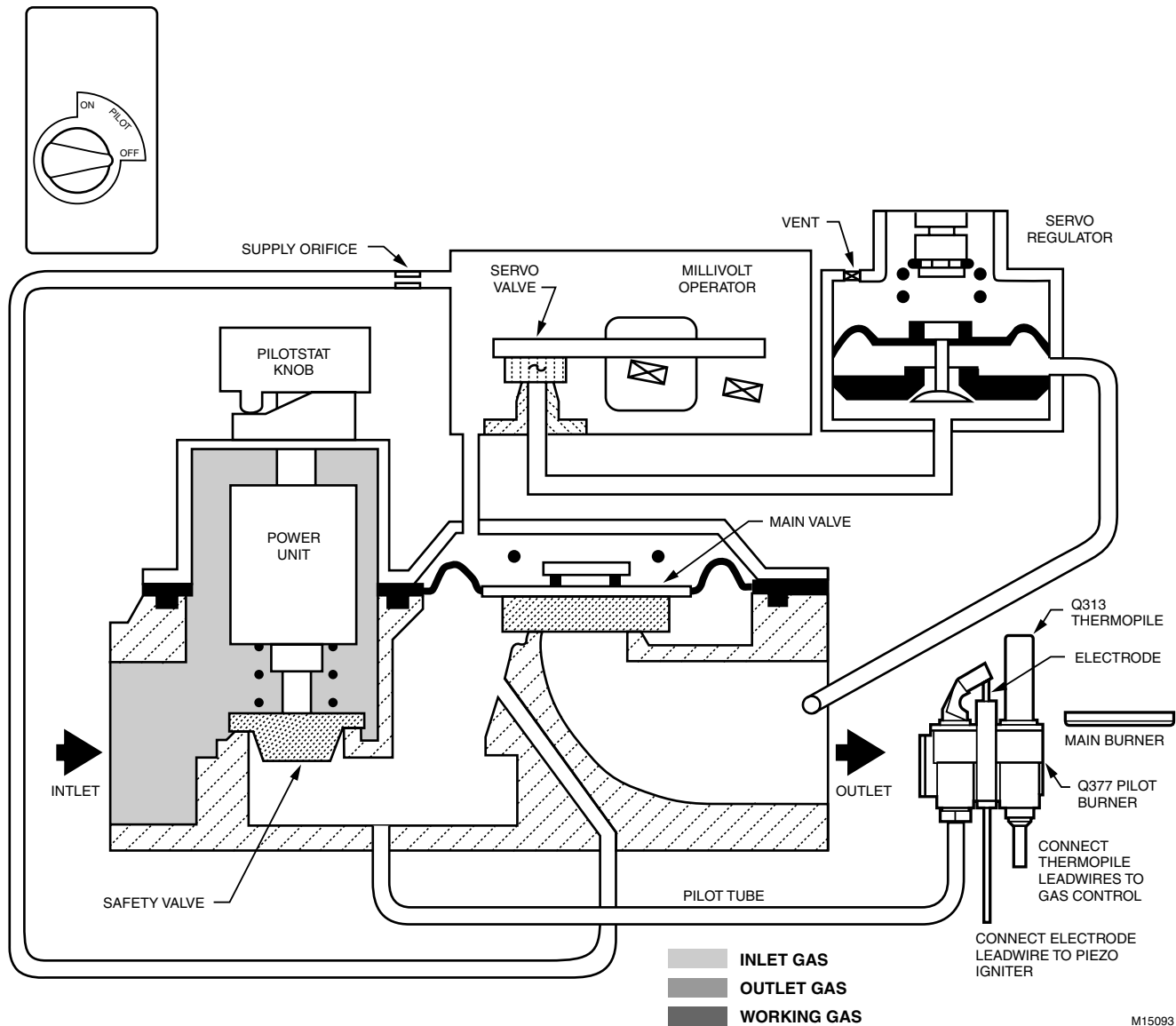


Fig. 9. Safety valve and main valve are closed.

### Pilot Gas and Lighting Procedure

1. Turn the knob counterclockwise to PILOT position, push the knob down, and hold in position. The pilot valve opens and allows gas to flow to the pilot burner.
2. While holding the knob down, light the pilot burner, continue to hold knob down until a strong flame is present (approximately 60 seconds).
3. Release the knob. The shaft moves upward and engages the safety valve lever that opens the safety valve.
4. Turn the knob counterclockwise to the ON position. On a call-for-heat, the main valve opens and the main burner ignites.

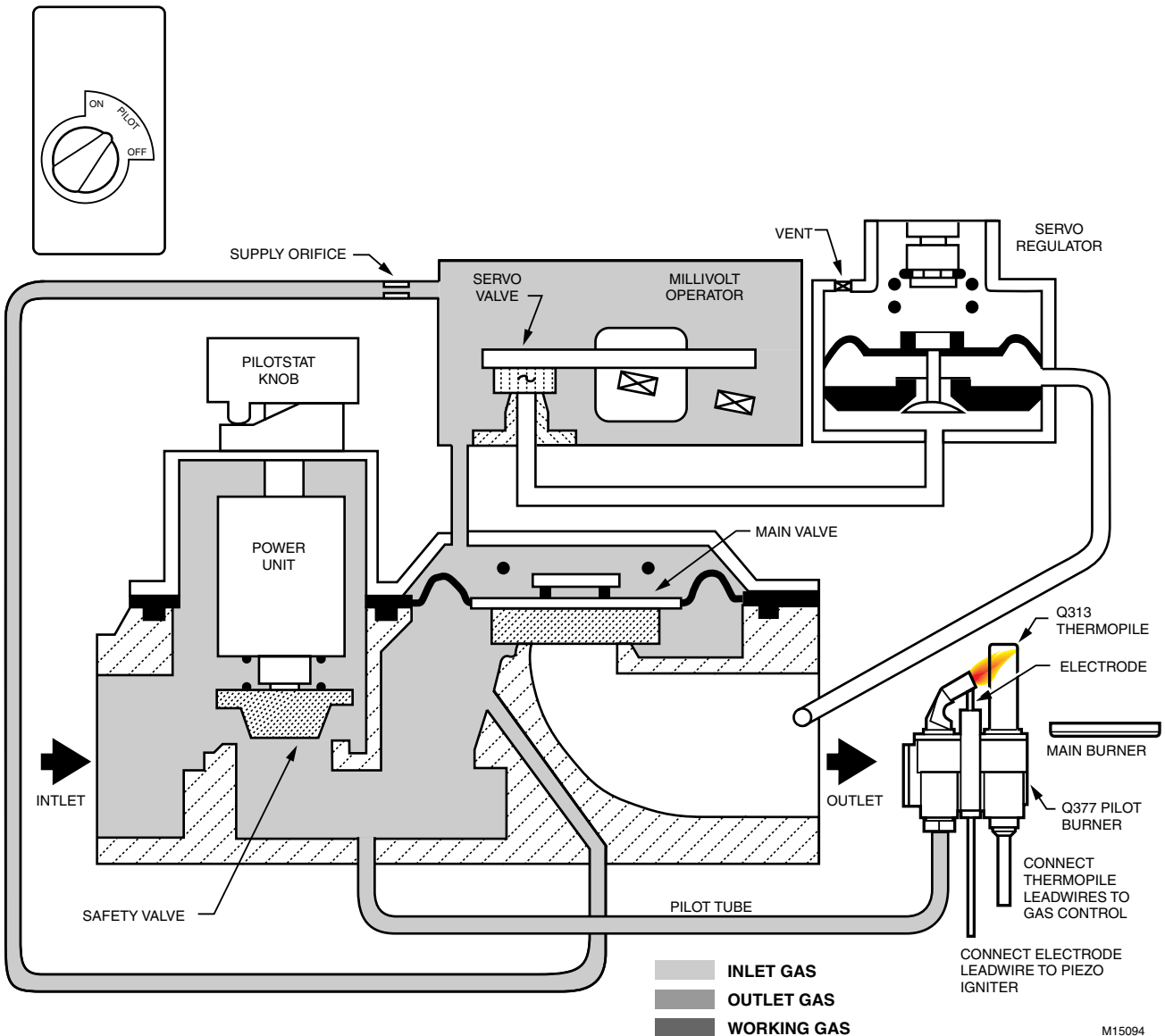
### Shut off Procedure

1. To shut off the system, turn the knob clockwise to the OFF position. This action closes the main gas and safety valves. However, the power unit must drop out before the lighting sequence can begin again. The VS8510 drops out within three minutes. The VS8520 drops out within 30 seconds.
2. To relight the pilot light, follow the steps in the Pilot Gas and Lighting Procedure section.



**STANDING PILOT MILLIVOLT VALVE**

PILOT-POSITION (SAFETY/MANUAL VALVE OPEN)

**Fig. 10. Safety valve is open and pilot is lit.****HI/LO Regulator**

As you turn the HI/LO knob, the gas pressure changes.

1. Turn the knob clockwise toward the HI setting to increase gas pressure.
2. Turn the knob counterclockwise toward the LO setting to decrease gas pressure.

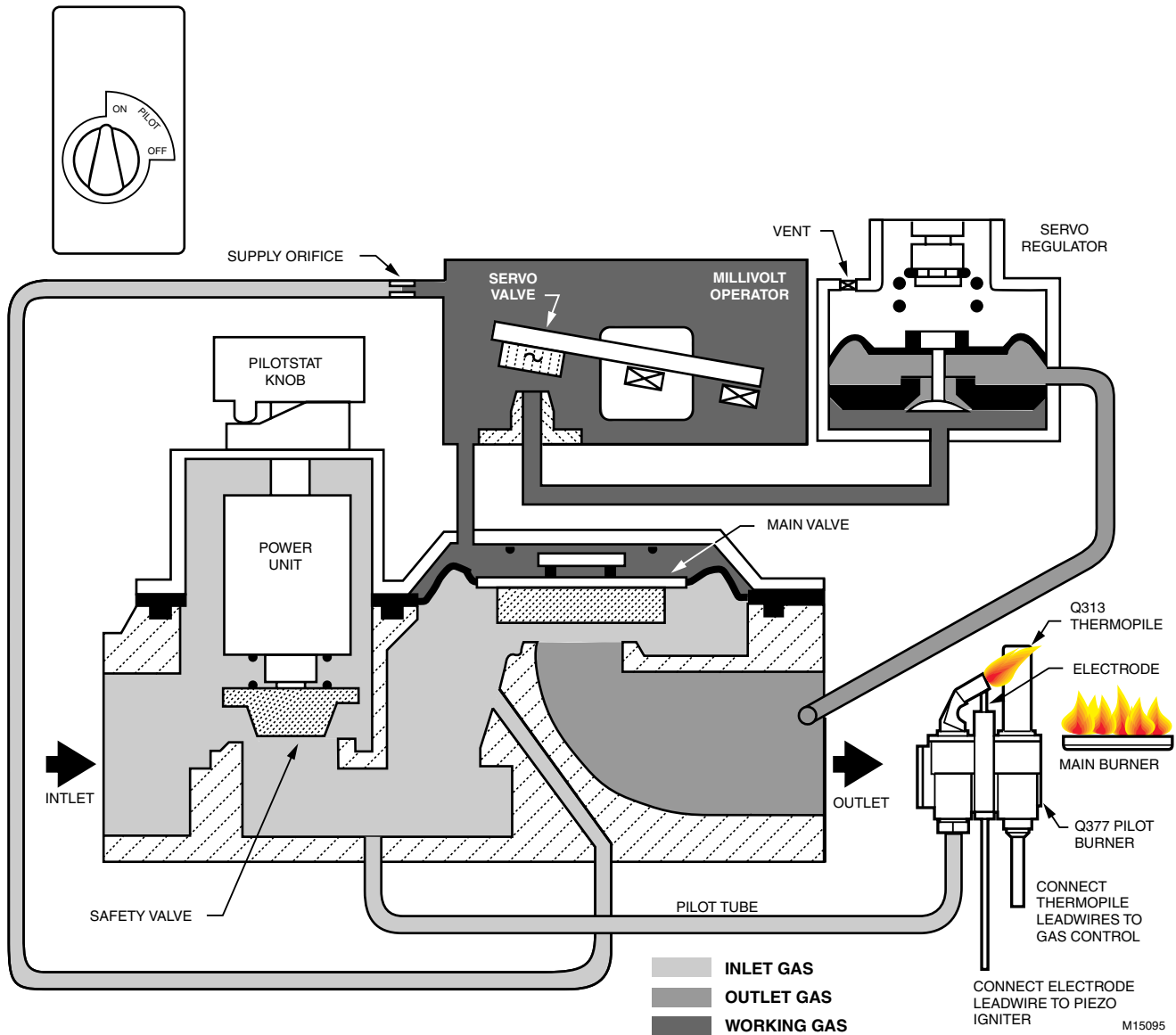
Minimum and maximum regulator settings vary for each individual gas valve. See gas valve label for actual minimum and maximum ranges. Table 3 lists possible minimums and maximums for gas valves.

**Standard Pressure Regulator**

1. Check the manifold pressure listed on the appliance nameplate. Gas control outlet pressure should match the nameplate.
2. With the main burner operating, check the gas control flow rate using the meter clocking method or measure the pressure by attaching a plastic tube with a 1/4 in. shell I.D. to the manometer and connecting the manometer to the outlet pressure tap on the gas control. See Fig. 5.

## STANDING PILOT MILLIVOLT VALVE

ON POSITION (VALVES OPEN)



**Fig. 11. Safety and main valve are open.**

3. If necessary, adjust the pressure regulator to match the appliance rating. See Table 3 for factory-set nominal outlet pressure and adjustment range.
  - a. Remove pressure regulator adjustment cap screw.
  - b. Using a screwdriver, turn inner adjustment screw clockwise to increase or counterclockwise to decrease gas pressure to burner.
  - c. Always replace cap screw and tighten firmly to prevent gas leakage.
4. If desired outlet pressure or flow rate cannot be achieved by adjusting the gas control, check gas control inlet pressure using a manometer at the gas control inlet pressure tap. If inlet pressure is in the normal range (see Table 3), replace gas control. Otherwise, take the necessary steps to provide proper gas pressure on the control.

## Checkout

### **WARNING**

**Fire or explosion hazard.**  
**Can cause severe injury or death and property damage.**

1. Do not force the gas control knob on the appliance. Use only your hand to turn the gas control knob. Never use any tools.
2. If the knob does not operate by hand, the control should be replaced by a qualified service technician.

### Gas Control Knob Settings

Gas control knob settings are as follows:

- OFF: Prevents main gas flow through the control.
- ON: Permits main burner and pilot gas flow. Gas control and thermostat control main burner gas flow.
- PILOT: Opens pilot valve and allows gas flow to pilot burner.
- HI/LO: Manually adjusts outlet pressure.

NOTE: Controls are shipped with the gas control knob in the ON position.

### Perform Gas Leak Test

### **WARNING**

**Fire or explosion hazard.**  
**Can cause severe injury or death and property damage.**

1. Stand away from the main burner while lighting. Hidden gas leaks can cause flashbacks in the appliance vestibule.
2. Check for gas leaks with rich soap and water solution any time work is done on a gas system.

### Gas Leak Test

1. Paint the pipe connections upstream of the gas control with rich soap and water solution. Bubbles indicate a gas leak.
2. If a leak is detected, tighten the pipe connections.
3. Light the main burner.
4. With the main burner in operation, paint the pipe joints (including adapters) and control inlet and outlet with a rich soap and water solution.
5. If another leak is detected, tighten the adapter screws, joints, and pipe connections.
6. Replace part if leak cannot be stopped.

### Turn on System

Rotate the gas control knob counterclockwise to ON.

### Turn on Main Burner

Follow the instructions provided by the appliance manufacturer or turn up the thermostat to call for heat.

### Check and Adjust Gas Input and Burner Ignition

### **CAUTION**

1. Do not exceed the input rating stamped on the appliance nameplate, or manufacturer recommended burner orifice pressure for size

orifice(s) used. Be sure primary air supply to the main burner is properly adjusted for complete combustion. Follow the instructions of the appliance manufacturer.

2. IF CHECKING GAS INPUT BY CLOCKING GAS METER: Be sure there is no gas flow through the meter other than to the appliance being checked. Other appliances must remain off with the pilots extinguished (or the consumption must be deducted from the meter reading). Convert the flow rate to Btuh as described in the Gas Controls Handbook, form 70-2602, and compare to the Btuh input rating on the appliance nameplate.
3. IF CHECKING GAS INPUT WITH MANOMETER: Both the inlet and outlet pressure taps have a captive screw. To measure the pressure of the tap, loosen, but do not remove the captive screw, attach a plastic tube with a 1/4 in. shell I.D. and connect the manometer. After checking the pressure, turn the gas control knob to the OFF position. Before opening the outlet pressure tap, be sure the gas control is in the OFF position. Before opening the inlet pressure tap, shut off the gas supply at the manual valve in the gas piping to the appliance or, for LP, at the tank. Repeat the Gas Leak Test at the pressure tap with the main burner operating.

### Check Safety Shutdown Performance

### **WARNING**

**Fire or explosion hazard.**  
**Can cause severe injury or death and property damage.**

Perform the safety shutdown test any time work is done on a gas system.

1. Place gas control knob in PILOT position. Main burner should go off and pilot should remain lit.
2. Extinguish pilot flame. The VS8510 pilot gas flow should stop within three minutes; the VS8520 pilot gas flow stops within thirty seconds. Safety shutoff of pilot gas proves complete shutdown because safety shutoff valve prohibits main burner and pilot gas flow.
3. Relight pilot burner and operate the system through one complete cycle to ensure all controls operate properly.

## MAINTENANCE

### **WARNING**

**Fire or explosion hazard.**  
**Can cause severe injury or death and property damage.**

Do not attempt to take apart the gas control or to clean it. Improper assembly and cleaning can cause unreliable operation.

Regular preventive maintenance is important in applications that place a heavy load on system controls such as those used in the commercial cooking and agricultural and industrial industries because:

- In many such applications, particularly commercial cooking, the equipment operates 100,000 to 200,000 cycles per year. Such heavy cycling can wear out the gas control in one to two years.

- Exposure to water, dirt, chemicals and heat can damage the gas control and shut down the control system.

The maintenance program should include regular checkout of the system as outlined in the Checkout section, and checkout of the control system as described in the appliance manufacturer literature.

Maintenance frequency must be determined individually for each application. Some considerations are:

- Cycling frequency.** Appliances that may cycle 20,000 times annually should be checked monthly.
- Intermittent use.** Appliances that are used seasonally should be checked before shutdown and again before the next use.
- Consequence of unexpected shutdown.** Where the cost of an unexpected shutdown would be high, the system should be checked more often.
- Dusty, wet, or corrosive environment.** Because these environments can cause the gas control to deteriorate more rapidly, the system should be checked more often.

Any control should be replaced if it does not perform properly on checkout or service. In addition, replace any module if it is wet or looks like it has ever been wet.

## SERVICE

### WARNING

**Fire or Explosion Hazard.**  
**Can cause severe injury or death and property damage.**

Do not disassemble the gas control; it contains no replaceable components. Attempted disassembly or repair can damage the control.

### CAUTION

**Equipment Damage Hazard.**  
**Can burn out heat anticipator in thermostat.**

Do not apply a jumper across (or short) the valve coil terminals even temporarily.

#### If Main Burner Does Not Come On With Call For Heat

- Confirm that the gas control knob is in the ON position.
- Adjust the thermostat several degrees above the room temperature.
- Use a dc voltmeter to measure the voltage across the THTP and TP terminals.

#### Home and Building Control

Honeywell Inc.  
Honeywell Plaza  
P.O. Box 524  
Minneapolis MN 55408-0524

#### Honeywell Latin American Region

480 Sawgrass Corporate Parkway  
Suite 200  
Sunrise FL 33325

#### Home and Building Control

Honeywell Limited-Honeywell Limitée  
155 Gordon Baker Road  
North York, Ontario  
M2H 3N7

#### Honeywell Europe S.A.

3 Avenue du Bourget  
1140 Brussels  
Belgium

#### Honeywell Asia Pacific Inc.

Room 3213-3225  
Sun Hung Kai Centre  
No. 30 Harbour Road  
Wanchai  
Hong Kong

- If no voltage is present, check the control circuit for proper operation.
- If proper control system voltage is present, replace the gas control.

#### Warning to the Appliance Owner. For Your Safety, Read Before Lighting Appliance.

### WARNING

**Fire or Explosion Hazard.**  
**Can cause severe injury or death and property damage.**

Exactly follow the warnings and the lighting instructions.

- Before lighting, smell around the appliance area for gas. If the appliance uses LP (bottled) gas, be sure to smell next to the floor because LP gas is heavier than air. If you smell gas, immediately shut off the manual valve in the gas piping to the appliance or, on LP, at the tank. Do not try to light any appliance. Do not touch any electrical switch or use the phone. Leave the building and call your gas supplier. If your gas supplier cannot be reached, call the fire department.
- Do not force the gas control knob on the appliance. Use only your hand to turn the gas control knob. Never use any tools. If the knob does not operate by hand, have a qualified service technician replace the control. Force or attempted repair can result in fire or explosion.
- The gas control must be replaced if it has been flooded with water. Call a qualified service technician.
- The gas control is a safety device. It must be replaced in case of any physical damage such as bent terminals, missing or broken parts, stripped threads, or evidence of exposure to heat.

## ACCESSORIES

Part Number	Description
395991	Natural to LP Conversion Kit for standard Regulator
395992	LP to Natural Gas Conversion Kit for standard regulator

