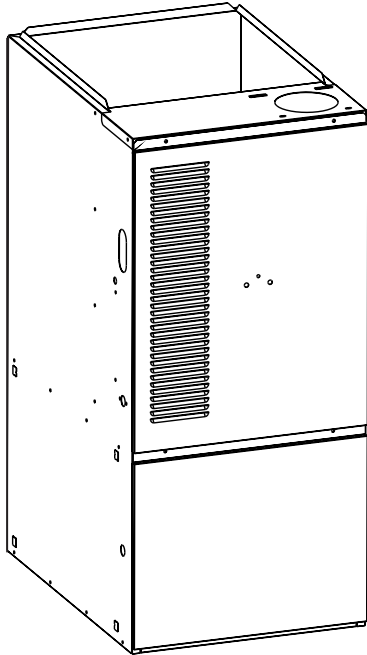
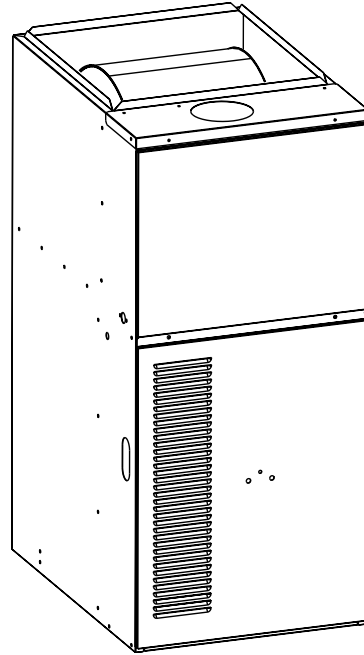


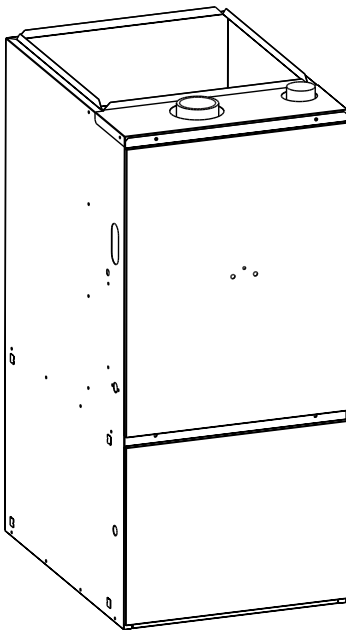
***L and *G Series
78+, 80+ and 90+ Models**



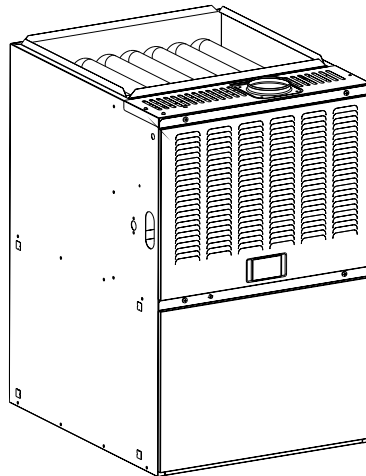
***G6RA and G6TA 80+Upflow/Horizontal**



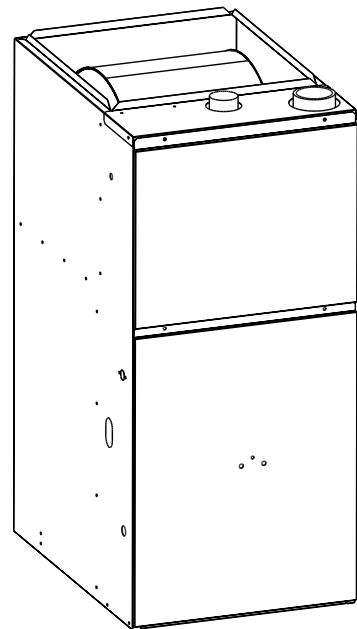
***G6RK 80+Downflow**



***G6RC, G6RD and *G6TC
90+Upflow/Horizontal**



***L1RA 78+Upflow/Horizontal**



***G6RL and *G6TL
90+Downflow**

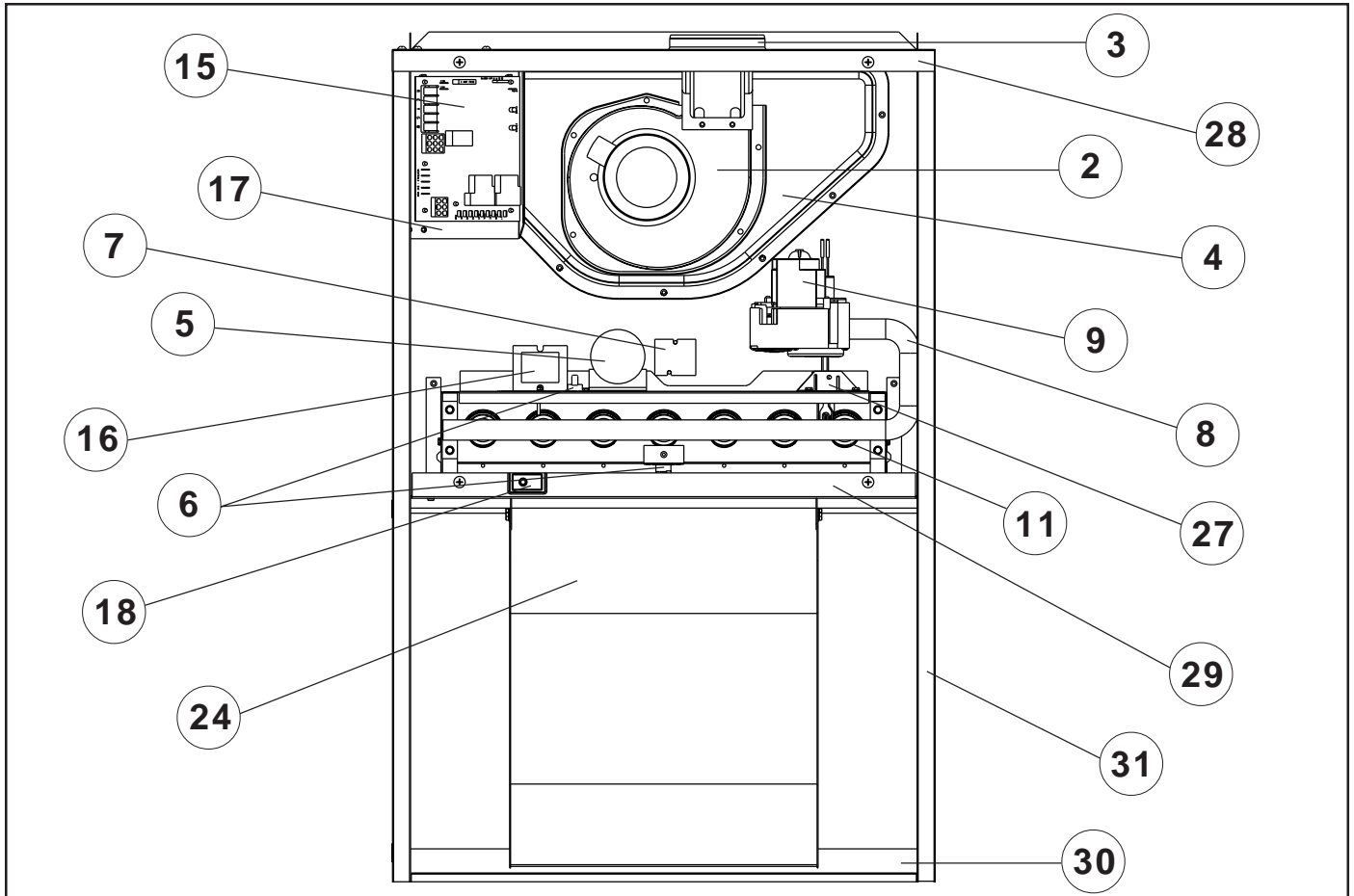
*Model description may be prefixed with an alphanumeric character.

Table of Contents

*L1RA 78+ Upflow/Horizontal Replacement Parts List	3
*L1RA 78+ Upflow/Horizontal Open View	3
*G6RA 80+ Upflow/Horizontal Replacement Parts List	4
*G6RA 80+ Upflow/Horizontal Open View	5
*G6RK 80+ Downflow Replacement Parts List	6
*G6RK 80+ Downflow Open View	7
*G6TA 80+ Upflow/Horizontal Replacement Parts List	8
*G6TA 80+ Upflow/Horizontal Open View	9
*G6RC 90+ Upflow Replacement Parts List	10
*G6RD 93+ Upflow Replacement Parts List	10
*G6RC 90+ and G6RD 93+ Upflow Open View	11
*G6RL and GD(-)M-S 90+ Downflow Replacement Parts List	12
*G6RL and GD(-)M-S 90+ Downflow Open View	13
*G6TC 90+ Upflow Replacement Parts List	14
*G6TC 90+ Upflow Open View	15
*G6TL 90+ Downflow Replacement Parts List	16

Residential 78+ Upflow/Horizontal Furnace Model *L1RA

ITEM NO.	DESCRIPTION	(A)				(B)				(C)		
		045C-08	054C-10	054C-12	072C-12	072C-12	072C-16	090C-12	090C-16	108C-16	108C-20	126C-20
1	Upper Door & Lower Door (Not Shown)	903800	903800	903800	903800	903801	903801	903801	903801	903801	903802	903802
2	Inducer Blower Assembly w/Gasket	903810	903810	903810	903810	903810	903810	903810	903810	903810	903810	903810
3	Flue Pipe Adapter	903811	903811	903811	903811	903811	903811	903811	903811	903811	903811	903811
4	Collector Pan w/Gasket	903839	903840	903840	903841	903842	903842	903843	903843	903844	903845	903846
5	Switch, Pressure	632365	632365	632365	632365	632365	632365	632365	632365	632365	632365	632365
6	Flame Rollout Switch (2)	626343	626343	626343	626343	626343	626343	626343	626343	626343	626343	626343
7	Limit, Main Air	626503	626503	626508	626510	626494	626508	626495	626495	626495	626509	626509
8	Manifold Tube Assembly	663798	663798	663798	663799	663799	663799	663800	663800	663801	663801	663802
9	Gas Valve	624586	624586	624586	624586	624586	624586	624586	624586	624586	624586	624586
10	Orifice, Burner (Not Shown)	661050	661047	661047	661047	661047	661047	661047	661047	661047	661047	661047
11	Inshot Burner	660921	660921	660921	660921	660921	660921	660921	660921	660921	660921	660921
12	Replacement Ignitor Kit (Not Shown)	903758	903758	903758	903758	903758	903758	903758	903758	903758	903758	903758
13	Flame Sensor (Not Shown)	632367	632367	632367	632367	632367	632367	632367	632367	632367	632367	632367
14	Heat Exchanger Assembly (Not Shown)	159922R	159922R	159922R	159923R	159924R	159924R	159925R	159925R	159926R	159927R	159928R
15	Integrated Control	903106	903106	903106	903106	903106	903106	903106	903106	903106	903106	903106
16	Transformer	621486	621486	621486	621486	621486	621486	621486	621486	621486	621486	621486
17	Control Panel	391391	391391	391391	391391	391391	391391	391391	391391	391391	391391	391391
18	Door Switch	632125	632125	632125	632125	632125	632125	632125	632125	632125	632125	632125
19	Limit Mounting Bracket (Not Shown)	267511	267511	267511	267511	267511	267511	267511	267511	267511	267511	267511
20	Deck Limit (Not Shown)	626481	626481	626481	626481	626481	626481	626481	626481	626481	626481	626481
21	Capacitor (Not Shown)	621433	621433	621433	621433	621433	621433	621433	621435	621435	621435	621435
22	Capacitor Strap (Not Shown)	606228	606228	606228	606228	606228	606228	606228	606228	606228	606228	606228
23	Motor Blower (Not Shown)	903806	902807	902127	903807	903807	903807	903808	903808	903808	903809	903809
24	Blower Assembly Complete	903813	903814	903847	903847	903815	903816	903815	903816	903816	903817	903817
25	Blower Wheel (Not Shown)	667251	667251	667251	667251	667295	667271	667295	667271	667271	667277	667277
26	Motor Mount Kit (Not Shown)	-----	-----	-----	-----	-----	-----	-----	-----	-----	903489	903489
27	Ignitor Bracket	391721	391721	391721	391721	391721	391721	391721	391721	391721	391721	391721
28	Top Panel	390651R	390651R	390651R	390651R	390652R	390652R	390652R	390652R	390652R	390653R	390653R
29	Blower Deck	D10471R	D10471R	D10471R	D10471R	D10472R	D10472R	D10472R	D10472R	D10472R	D10473R	D10473R
30	Bottom Pan	382561R	382561R	382561R	382561R	382562R	382562R	382562R	382562R	382562R	382563R	382563R
31	Wrapper, Cabinet	D10381R	D10381R	D10381R	D10381R	D10382R	D10382R	D10382R	D10382R	D10382R	D10383R	D10383R
32	Blower Bracket (Not Shown)	267451	267451	267451	267451	267451	267451	267451	267451	267451	267451	267451

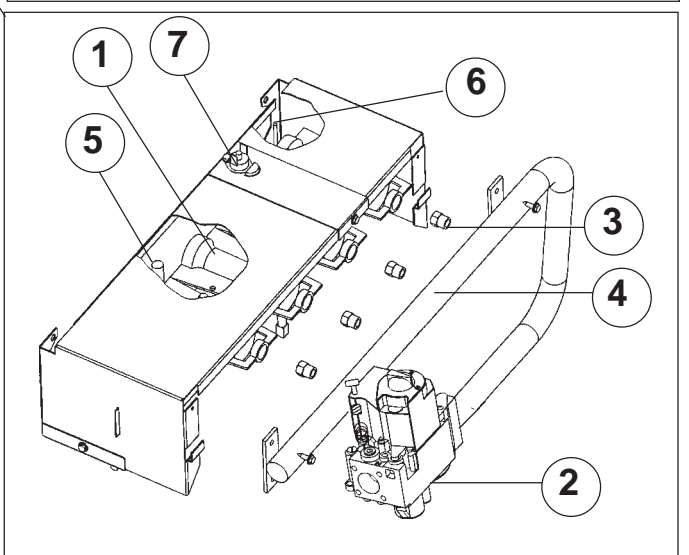
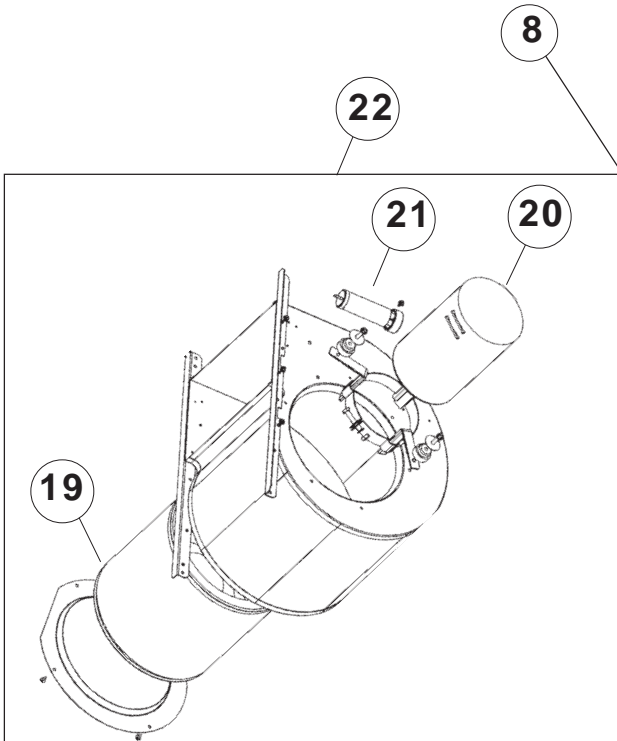
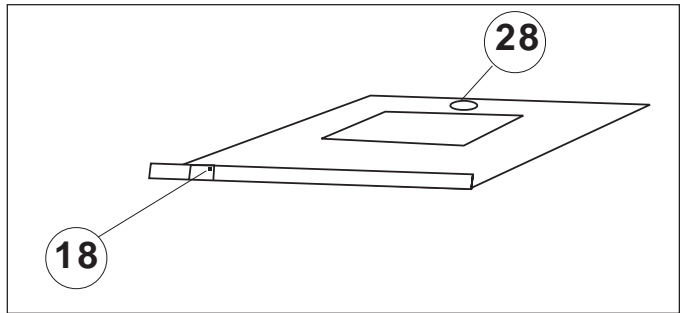
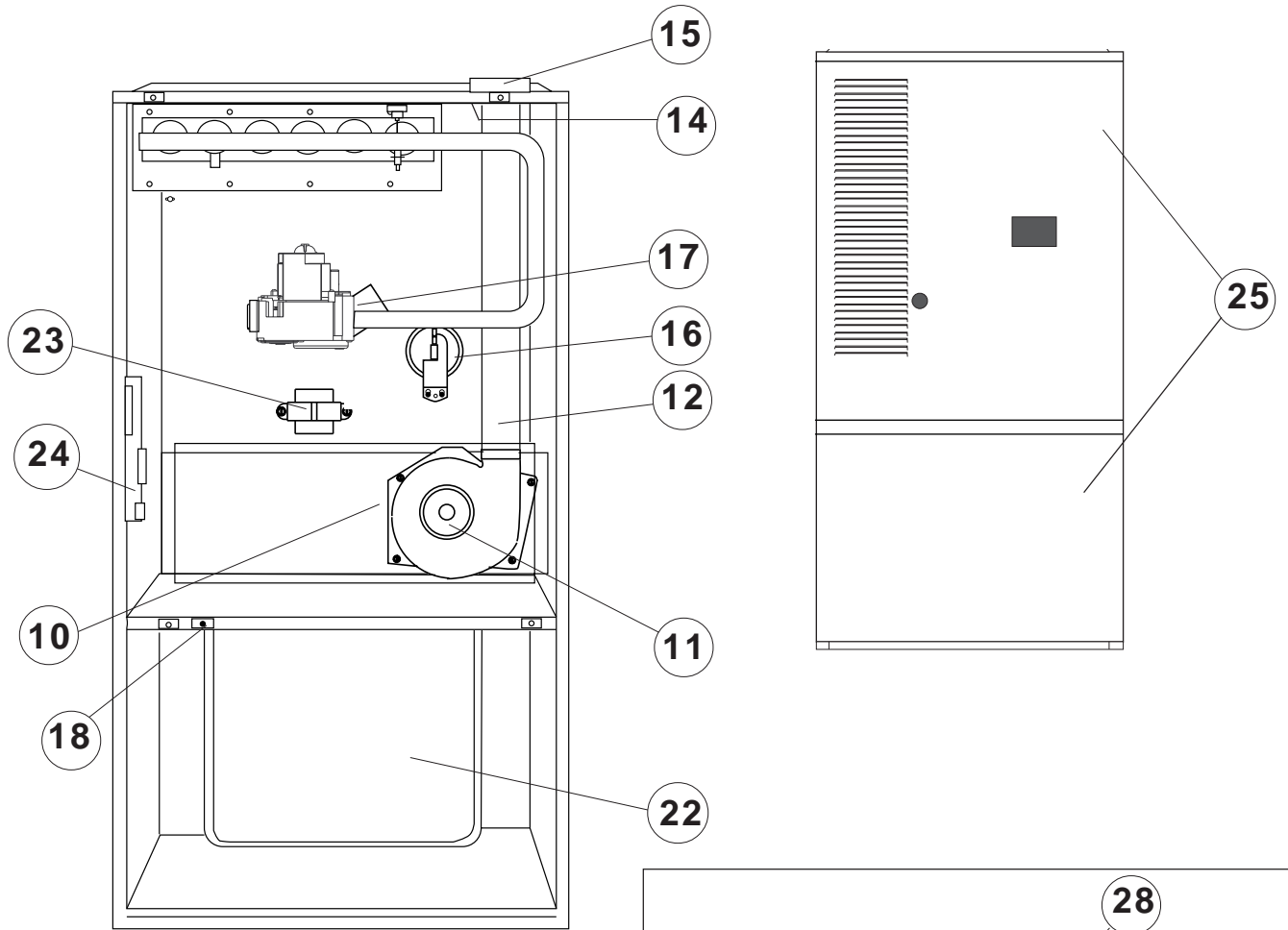


Residential 80+ Upflow/Horizontal Furnace Model *G6RA

ITEM NO.	DESCRIPTION	045()-08	060()-12	072()-12	072()-16	096()-12	096()-16	096()-20	120()-16	120()-20	144()-20
1	Inshot Burner (Not Shown)	660812	660812	660812	660812	660812	660812	660812	660812	660812	660812
2	Gas Valve VR8205	624586	624586	624586	624586	624586	624586	624586	624586	624586	624586
3	Orifice, Main Burner, No. 44	661044	-	-	-	-	-	-	-	-	-
	Orifice, Main Burner, No. 45	-	661045	-	-	-	-	-	-	-	-
	Orifice, Main Burner, No. 43	-	-	661043	661043	661043	661043	661043	661043	661043	661043
4	Manifold	663549	663550	663550	663550	663551	663551	663551	663552	663552	663553
5	Ignitor Flat (All Models)	903758	903758	903758	903758	903758	903758	903758	903758	903758	903758
6	Flame Sensor	632396	632396	632396	632396	632396	632396	632396	632396	632396	632396
7	Flame Roll-Out Limit, 300°F	626343	626343	626343	626343	626343	626343	626343	626343	626343	626343
8	Complete Burner Assembly	D11241R	D11251R	D11261R	D11261R	D11271R	D11271R	D11271R	D11281R	D11281R	D11291R
9	Heat Exchanger	493211R	493212R	493212R	493213R	493214R	493214R	493215R	493216R	493217R	493218R
10	Collector Pan Assembly	158610R	158611R	158612R	158619R	158621R	158621R	158624R	158622R	158625R	158625R
11	Inducer Blower with Gasket	903111	903111	903111	903111	903111	903111	903111	903111	903111	903111
12	Tube, Combustion	374670	374670	374670	374670	374670	374670	374670	374670	374670	374670
13	Vent Control Assembly	372570R	372581R	372582R	372583R	372584R	372584R	372584R	372584R	372586R	372590R
14	Switch, Vent Limit, 220 °F (Not Shown)	-	626354	-	-	-	-	-	-	-	-
	Switch, Vent Limit, 230 °F (Not Shown)	626353	-	-	-	-	-	-	-	-	626353
	Switch, Vent Limit, 240 °F (Not Shown)	-	-	-	626355	-	-	-	-	626355	-
	Switch, Vent Limit, 260 °F (Not Shown)	-	-	626350	-	626350	626350	626350	626350	-	-
15	Hose, High-Temp. Silicone (Not Shown)	263967	263967	263967	263967	263967	263967	263967	263967	263967	263967
16	Switch, Pressure	632212	632212	632212	632212	632212	632212	632212	632212	632212	632212
17	Switch, Over-temp. Limit, 150/20°F	-	626418	626418	-	-	-	-	-	-	626418
	Switch, Over-temp. Limit, 180/20°F	-	-	-	-	-	-	626434	-	626434	-
	Switch, Over-temp. Limit, 195/20°F	-	-	-	-	626419	-	-	-	-	-
	Switch, Over-temp. Limit, 210/20°F	626425	-	-	-	-	-	-	626425	-	-
	Switch, Over-temp. Limit, 250/20°F	-	-	-	626449	-	626449	-	-	-	-
18	Switch, Door	632125	632125	632125	632125	632125	632125	632125	632125	632125	632125
19	Wheel, Blower, CCW	667251	667251	667251	667271	667295	667271	667277	667271	667277	667277
20	Motor - 1/5 HP (3 Speed)	902126	-	-	-	-	-	-	-	-	-
	Motor - 1/3 HP (3 Speed)	-	902127	902127	-	902127	-	-	-	-	-
	Motor - 1/2 HP (4 Speed)	-	-	-	902128	-	902128	-	902128	-	-
	Motor - 3/4 HP (4 Speed)	-	-	-	-	-	-	902346	-	902346	902346
	Motor Mount 3/4 HP Motor only (Not Shown)	-	-	-	-	-	-	668926	-	668926	668926
	Motor Mount Arm (Not Shown)	-	-	-	-	-	-	668927	-	668927	668927
21	Capacitor, 5 MFD, 370V	621433	621433	621433	-	-	-	-	-	-	-
	Capacitor, 10 MFD, 370V	-	-	-	621435	621435	621435	621435	621435	621435	621435
22	Complete Blower Ass'y	902813	902814	902814	902815	903443	902815	902816	902815	902816	902816
23	Transformer, 40 VA, 120V	621486	621486	621486	621486	621486	621486	621486	621486	621486	621486
24	Control, Integrated (G4,G5,G6)	903106	903106	903106	903106	903106	903106	903106	903106	903106	903106
	Control, Box (G3)	903108	903108	903108	903108	903108	903108	903108	903108	903108	903108
25	Access Doors with Louvers (Not Shown)	903112	903112	903112	903113	903113	903113	903114	903113	903114	903114
26 ¹	Gasket, Collector Pan (Not Shown)	689350	689350	689350	689359	689359	689359	689358	689359	689358	689358
27	3 AMP Circuit Board Fuse (Not Shown)	632261	632261	632261	632261	632261	632261	632261	632261	632261	632261
28	Blower Deck Limit 135°F	-	-	-	626464	626464	626464	-	626464	-	-
29	Gasket, Collector Pan (Not Shown)	689071	689071	689071	689072	689072	689072	689073	689072	689073	689073

¹ Replace gasket whenever collector pan assembly (Item 11) is removed.

*G6RA 80+ Upflow/Horizontal



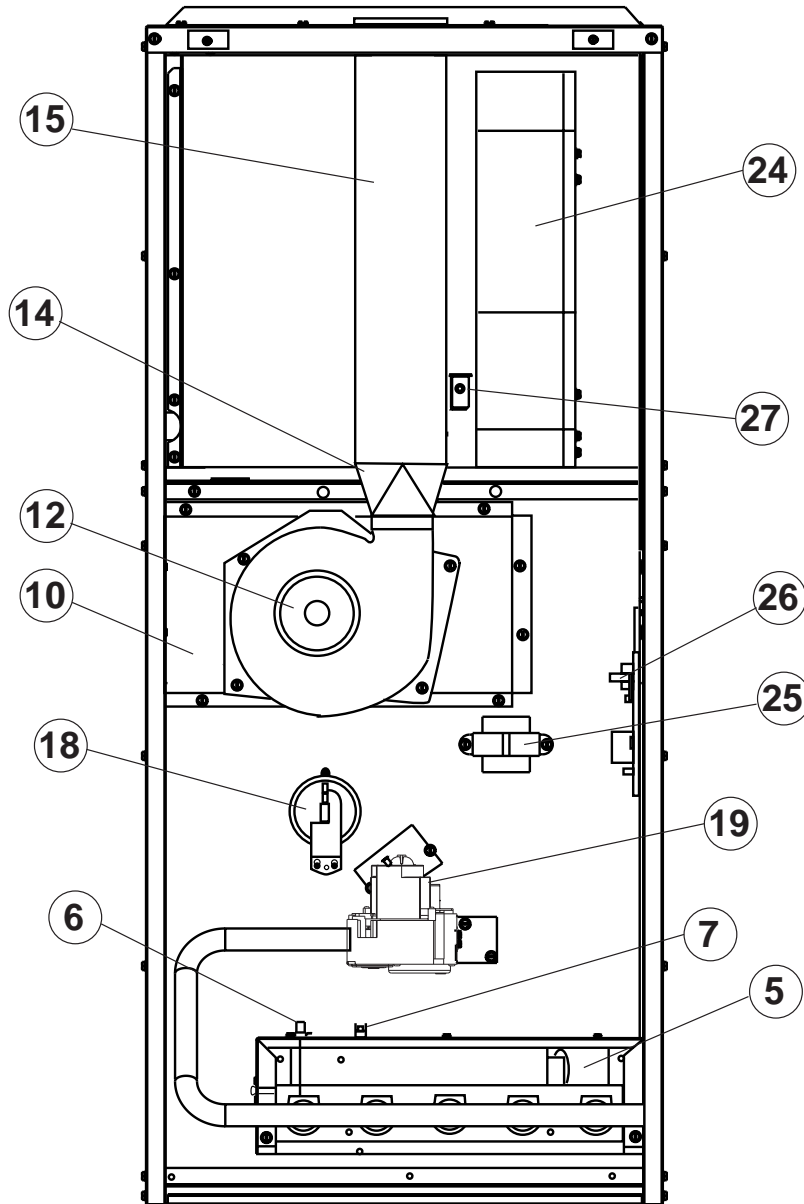
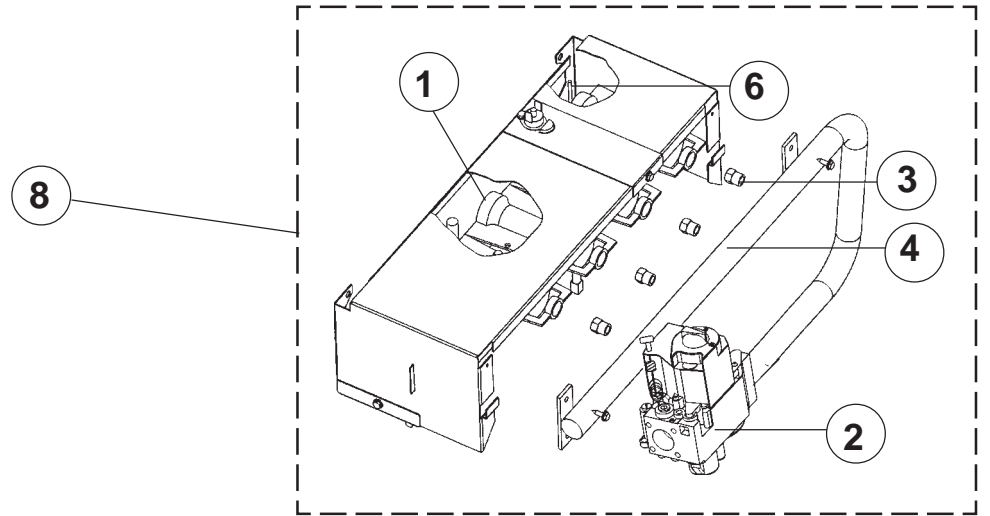
RPL #9916

Residential 80+ Downflow Furnace Model *G6RK

ITEM NO.	DESCRIPTION	060(-)-12	072(-)-12	072(-)-16	096(-)-12	096(-)-16	120(-)-20
1	Inshot Burner (Not Shown)	660812	660812	660812	660812	660812	660812
2	Gas Valve	624586	624586	624586	624586	624586	624586
3	Orifice, Main Burner, No. 43		661043	661043	661043	661043	661043
	Orifice, Main Burner, No. 45	661045					
4	Manifold	663550	663550	663550	663551	663551	663552
5	Ignitor Flat	903758	903758	903758	903758	903758	903758
6	Flame Sensor	632316	632316	632316	632316	632316	632316
7	Flame Roll-Out Switch (260°F)	626350	626350	626350	626350	626350	626350
8	Complete Burner Assembly	D03951R	D03952R	D03952R	D03953R	D03953R	D03954R
9	Heat Exchanger Assembly (Not Shown)	D06510R	D06510R	493641R	493642R	493642R	493643R
10	Collector Pan Assembly	158626R	158627R	158628R	158629R	158629R	158629R
11 ¹	Gasket, Collector Pan (Not Shown)	689531	689531	689072	689072	689072	689072
12	Inducer Blower with Gasket	903111	903111	903111	903111	903111	903111
13	Gasket, Inducer	689079	689079	689079	689079	689079	689079
14	Adaptor, 4" Round Assembly	368341R	368342R	368342R	368343R	368343R	368344R
15	Tube, Combustion, Insulated	262810R	262810R	262810R	262810R	262810R	262810R
16	Switch, Vent Limit, 250 °F (Not Shown)	626463	626463	626463	626463	626463	626463
17	Hose, High-Temperature Silicone (Not Shown)	263967	263967	263967	263967	263967	263967
18	Switch, Pressure	632212	632212	632212	632212	632212	632212
19	Limit Switch, 175/20°F	626424			626424		
	Limit Switch, 195/20°F		626419				
	Limit Switch, 220/20°F						626435
	Limit Switch, 250/25°F			626449		626449	
20	Wheel Blower CCW (Not Shown)	667251	667251	667271	667037	667271	667260
21	Motor - 1/3 HP (Not Shown)	902127	902127		902127		
	Motor - 1/2 HP (Not Shown)			902128		902128	
	Motor - 3/4 HP (Not Shown)						902346
22	Capacitor, 5 MFD, 370V (Not Shown)	621433	621433		621433		
	Capacitor, 10 MFD, 370V (Not Shown)			621435		621435	621435
23	Auxiliary Limit, 130/20 (Not Shown)				626463		
	Auxiliary Limit, 135/20 (Not Shown)					626484	
	Auxiliary Limit, 140/20 (Not Shown)	626439					626439
	Auxiliary Limit, 155/20 (Not Shown)		626440				
	Auxiliary Limit, 160/20 (Not Shown)			626462			
24	Blower Assembly	902814	902814	902815	902912	902815	902816
25	Transformer, 40 VA, 120V	621486	621486	621486	621486	621486	621486
26	Control, Integrated	903106	903106	903106	903106	903106	903106
27	Switch, Door	632125	632125	632125	632125	632125	632125
28	Motor Mount 3/4 HP Motor only (Not Shown)						668926
	Motor Mount Arm (Not Shown)						668927
29	Access Door with Louvers (Not Shown)	903115	903115	903116	903116	903116	903116

¹ Replace gasket whenever collector pan assembly (Item 11) is removed.

*G6RK 80+ Downflow

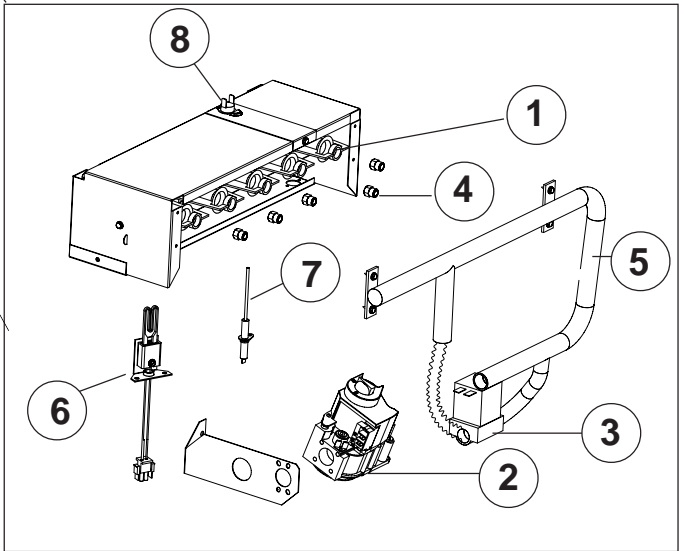
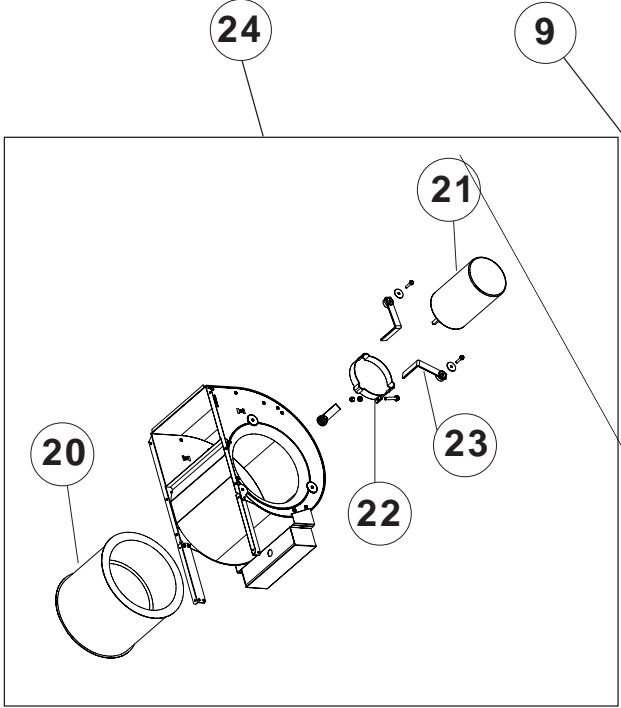
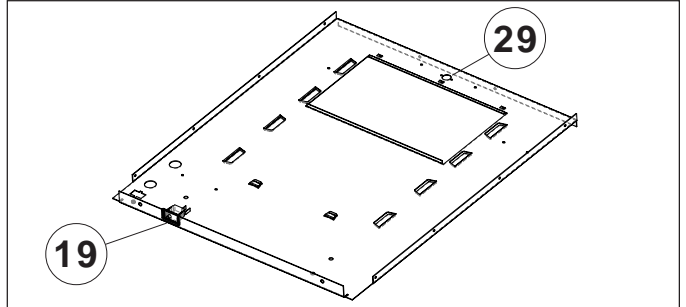
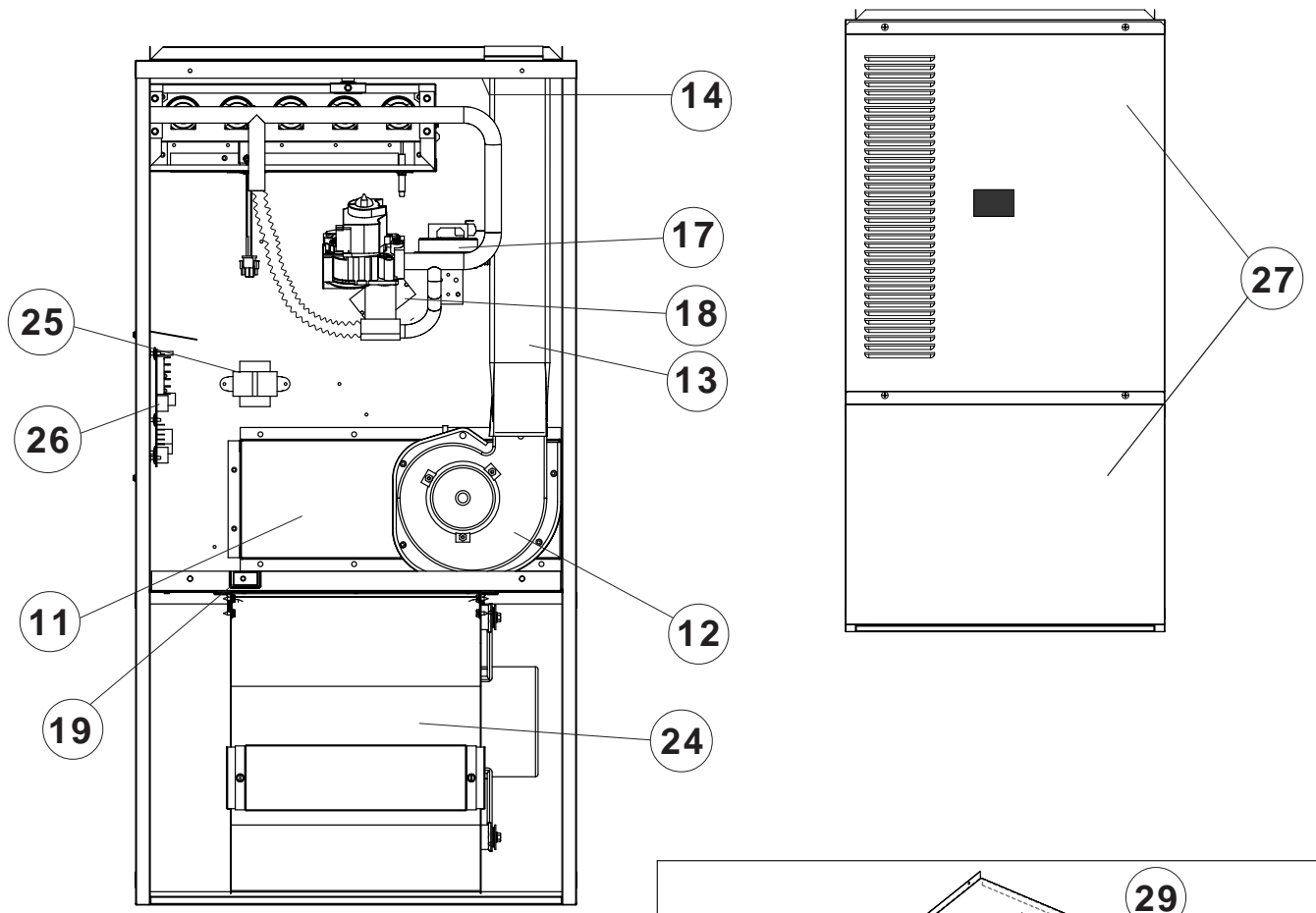


Residential 80+ 2-Stage Upflow/Horizontal Furnace Model *G6TA

ITEM NO.	DESCRIPTION	072()-VB	100()-VB	120()-VB	120()-VC
1	Inshot Burner (Not Shown)	660812	660812	660812	660812
2	Gas Valve VR8205	624586	624586	624586	624586
3	Solenoid Gas Valve -Secondary	624624	624624	624624	624624
4	Orifice, Main Burner, No. 44	-	661044	-	-
	Orifice, Main Burner, No. 43	661043		661043	661043
5	Manifold	663949	663835	663835	663835
6	Ignitor Flat (All Models)	903758	903758	903758	903758
7	Flame Sensor	632396	632396	632396	632396
8	Flame Roll-Out Limit, 300°F, Top	626343	626343	626343	626343
8a	Flame Roll-out, Limit, Left (Not shown)	None	626355(240F)	626355(240F)	626350(260F)
8b	Flame Roll-out, Limit, Right (Not shown)	626343(300F)	None	None	None
9	Complete Burner Assembly	M0012901R	M0012902R	M0012903R	M0012904R
10	Heat Exchanger (Not Shown)	493213R	493216R	493216R	493217R
11	Collector Pan Assembly	M0013201R	M0013202R	M0013203R	M0013204R
12	Inducer Blower with Gasket	903111	903111	903111	903111
13	Tube, Combustion	374670	374670	374670	374670
14	Vent Assembly	277592	277592	277592	277591
15	Hose, High-Temp. Silicone (Not Shown)	263967	263967	263967	263967
16	Gasket, Collector Pan (Not Shown)	689072	689072	689072	689073
17	Switch, Pressure	632212	632212	632212	632212
18	Switch,Over-temp.Limit (Main Limit)	626526(280F)	626425(210F)	626425(210F)	626434(180F)
19	Switch, Door	632125	632125	632125	632125
20	Wheel, Blower, CCW	667280	667280	667280	667280
21	Motor - 3/4 HP (Variable Speed)	621892	621892	621892	621892
22	Motor Mount 3/4 HP Motor only (Not Shown)	668926	668926	668926	668926
23	Motor Mount Arm (Not Shown)	668927	668927	668927	668927
24	Complete Blower Ass'y	903837	903837	903837	903837
25	Transformer, 40 VA, 120V	621486	621486	621486	621486
26	Control, Integrated (G4,G5,G6)	903106	903106	903106	903106
27	Access Doors with Louvers (Not Shown)	903113	903113	903113	903114
28	3 AMP Circuit Board Fuse (Not Shown)	632261	632261	632261	632261
29	Blower Deck Limit 135°F	626464	626464	626464	626481

Note: Replace gasket (Item 16) whenever collector pan assembly (Item 11) is removed

*G6TA 80+ Upflow/Horizontal



RPL #9916

Residential 90+ Upflow/Horizontal Condensing Furnace Model *G6RC

ITEM NO.	DESCRIPTION	040-08	040-12	060-12	080-12	080-16	100-16	120-16	120-20
1	Manifold	663549	663549	663550	663551	663551	663552	663553	663553
2	Access Doors with Louvers, Set (Not Shown)	903112	903112	903112	903113	903113	903113	903114	903114
3	Transformer	621486	621486	621486	621486	621486	621486	621486	621486
4	Blower Assembly	902813	902814	902814	903754	902815	902815	902815	902816
5	Motor - 1/5 HP (3 Speed) (Not Shown)	902126							
	Motor - 1/3 HP (3 Speed) (Not Shown)		902127	902127	902127				
	Motor - 1/2 HP (4 Speed) (Not Shown)					902128	902128	902128	
	Motor - 3/4 HP (4 Speed) (Not Shown)								902346
6	Blower Wheel CCW (Not Shown)	667251	667251	667251	667037	667271	667271	667271	667277
7	Capacitor, 5 MFD, 370V (Not Shown)	621433	621433	621433	621433				
	Capacitor, 10 MFD, 370V (Not Shown)					621435	621435	621435	621435
8	Motor Mount 3/4 Motor (Not Shown)								668926
9	Motor Mount Arm (Not Shown) 3 Required								668927
10	Heat Exchanger Assembly (Not Shown)	D04580R	D04580R	D04590R	D04540R	D04540R	D04550R	D04520R	D04520R
11	Control, Integrated	903106	903106	903106	903106	903106	903106	903106	903106
12	Burner Box Assembly	D11031R	D11031R	D11041R	D11051R	D11051R	D11061R	D11071R	D11071R
13	Gas Valve	624586	624586	624586	624586	624586	624586	624586	624586
14	Ignitor Flat	903758	903758	903758	903758	903758	903758	903758	903758
15	Flame Sensor (Not Shown)	632396	632396	632396	632396	632396	632396	632396	632396
16	Orifice Natural Gas, #45 (Not Shown)	661045	661045	661045	661045	661045	661045	661045	661045
17	Inshot Burner (Not Shown)	660812	660812	660812	660812	660812	660812	660812	660812
18	Pressure Switch	632252	632252	632252	632252	632252	632252	632252	632252
19	Limit Switch (175°F)			626424					
	Limit Switch (195°F)								626419
	Limit Switch (210°F)	626425	626425				626425		
	Limit Switch (220°F)							626435	
	Limit Switch (250°F)				626449	626449			
20	Blower, Inducer (with gasket)*	903962	903962	903962	903962	903962	903962	903962	903962
20a	Blower, Inducer (with gasket)	902977	902977	902977	902977	902977	902977	902977	902977
21	Orifice, Inducer (Not Shown)	151885R	151885R	151882R	151888	151888	151888	N/A	N/A
22	Coupling Neoprene	663709	663709	663709	663709	663709	663709	663709	663709
23	In-Line Drain Assembly	663714	663714	663714	663714	663714	663714	663714	663714
24	Box, Header Outlet Plus Sealant	903105	903105	903105	903104	903104	903104	901103	903103
25	Switch, Door	632125	632125	632125	632125	632125	632125	632125	632125
26	J Trap Hard Tube	663706	663706	663706	663706	663706	663706	663706	663706
27	Vent Safety Limit Switch	626461	626461	626461	626461	626461	626461	626461	626461
28	Roll-Out Limit Switch	626422	626422	626422	626422	626422	626422	626422	626422
29	Turbulator (Not Shown)	D01220	D01220	D01220	D01220	D01220	D01220	D01220	D01220
30	Hose, High-Temperature Silicone (Not Shown)	263967	263967	263967	263967	263967	263967	263967	263967

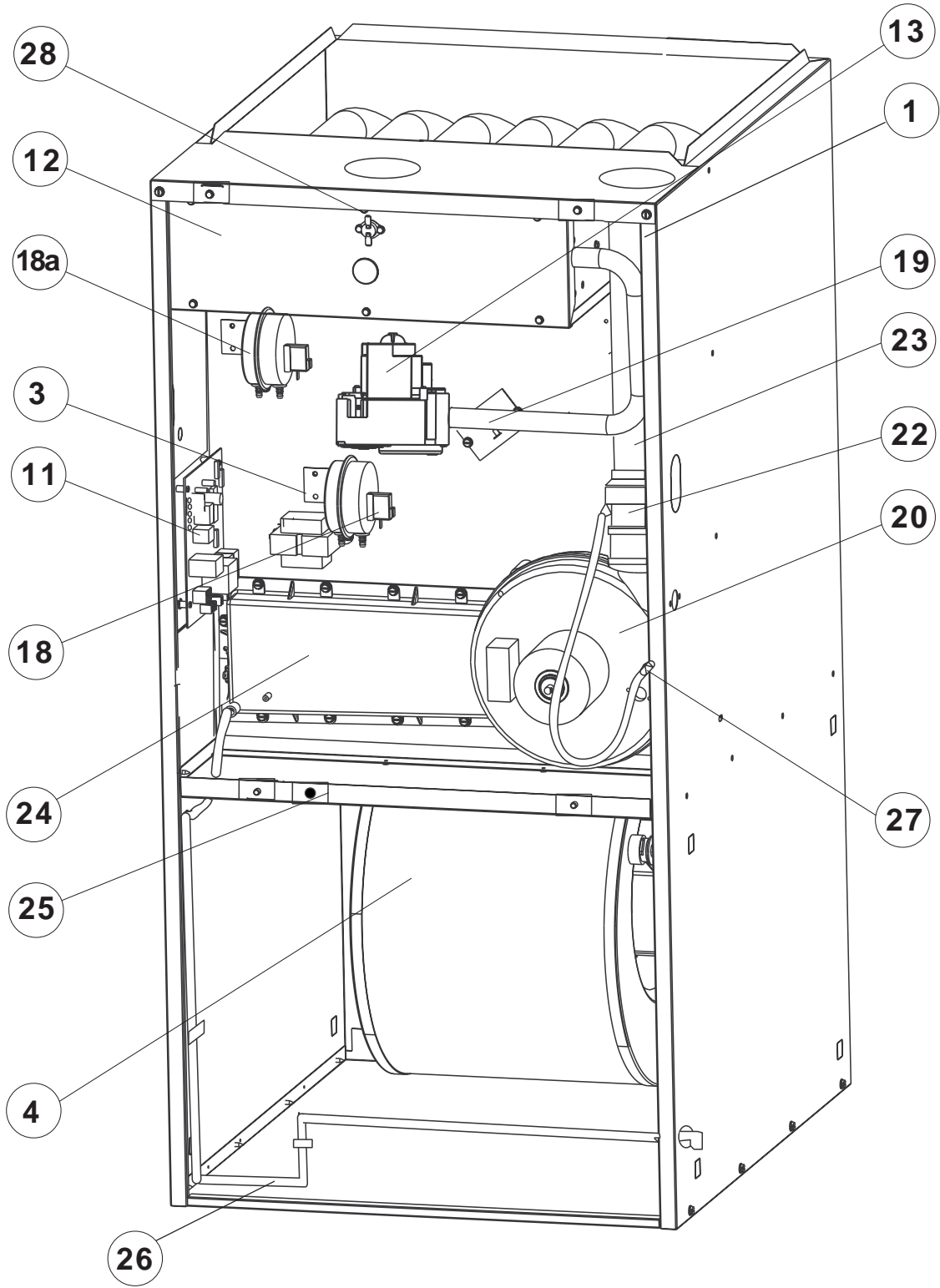
* Note: Effective Date: 09/01/01

Residential 93+ Upflow Condensing Furnace Model *G6RD

ITEM NO.	DESCRIPTION	040-10	060-10	080-14	100-14	120-14	120-19
1	Manifold	663549	663550	663551	663552	663553	663553
2	Access Doors with Louvers, Set (Not Shown)	903112	903112	903113	903113	903114	903114
3	Transformer	621486	621486	621486	621486	621486	621486
4	Blower Assembly	902814	902814	902815	902815	902815	902816
5	Motor - 1/3 HP (3 Speed) (Not Shown)	902127	902127				
	Motor - 1/2 HP (4 Speed) (Not Shown)			902128	902128	902128	
	Motor - 3/4 HP (4 Speed) (Not Shown)						902346
6	Blower Wheel CCW (Not Shown)	667251	667251	667271	667271	667271	667277
7	Capacitor, 5 MFD, 370V (Not Shown)	621433	621433				
	Capacitor, 10 MFD, 370V (Not Shown)			621435	621435	621435	621435
8	Motor Mount 3/4 Motor (Not Shown)						668926
9	Motor Mount Arm (Not Shown) 3 Required						668927
10	Heat Exchanger Assembly (Not Shown)	D04600R	D04610R	D04560R	D04570R	D04530R	D04530R
11	Control, Integrated	903106	903106	903106	903106	903106	903106
12	Burner Box Assembly	D11031R	D11041R	D11051R	D11061R	D11071R	D11071R
13	Gas Valve	624586	624586	624586	624586	624586	624586
14	Ignitor Flat	903758	903758	903758	903758	903758	903758
15	Flame Sensor (Not Shown)	632396	632396	632396	632396	632396	632396
16	Orifice Natural Gas, #45 (Not Shown)	661045	661045	661045	661045	661045	661045
17	Inshot Burner (Not Shown)	660812	660812	660812	660812	660812	660812
18	Pressure Switch	632301	632301	632301	632301	632301	632301
19	Limit Switch (175°F)		626424		626424		
	Limit Switch (195°F)					626419	626419
	Limit Switch (210°F)	626425		626425			
20	Blower, Inducer (with gasket)*	903962	903962	903962	903962	903962	903962
20a	Blower, Inducer (with gasket)	902977	902977	902977	902977	902977	902977
21	Orifice, Inducer (Not Shown)	155313R	155314R	151882R	151883R	155312R	155312R
22	Coupling Neoprene	663709	663709	663709	663709	663709	663709
23	In-Line Drain Assembly	663726	663726	663726	663726	663726	663726
24	Box, Header Outlet Plus Sealant	903105R	903105R	903104R	903104R	901103R	903103R
25	Switch, Door	632125	632125	632125	632125	632125	632125
26	J Trap Hard Tube	663706	663706	663706	663706	663706	663706
27	Vent Safety Limit Switch	626461	626461	626461	626461	626461	626461
28	Roll-Out Limit Switch	626422	626422	626422	626422	626422	626422
29	Turbulator (Not Shown)	D01220	D01220	D01220	D01220	D01220	D01220
30	Turbulator Plate (Not Shown)	155210	155210	155210	155210	155210	155210
31	Hose, High-Temperature Silicone (Not Shown)	263967	263967	263967	263967	263967	263967

* Note: Effective Date: 09/01/01

***G6RC 90+ Upflow/Horizontal and *G6RD 93+ Upflow**

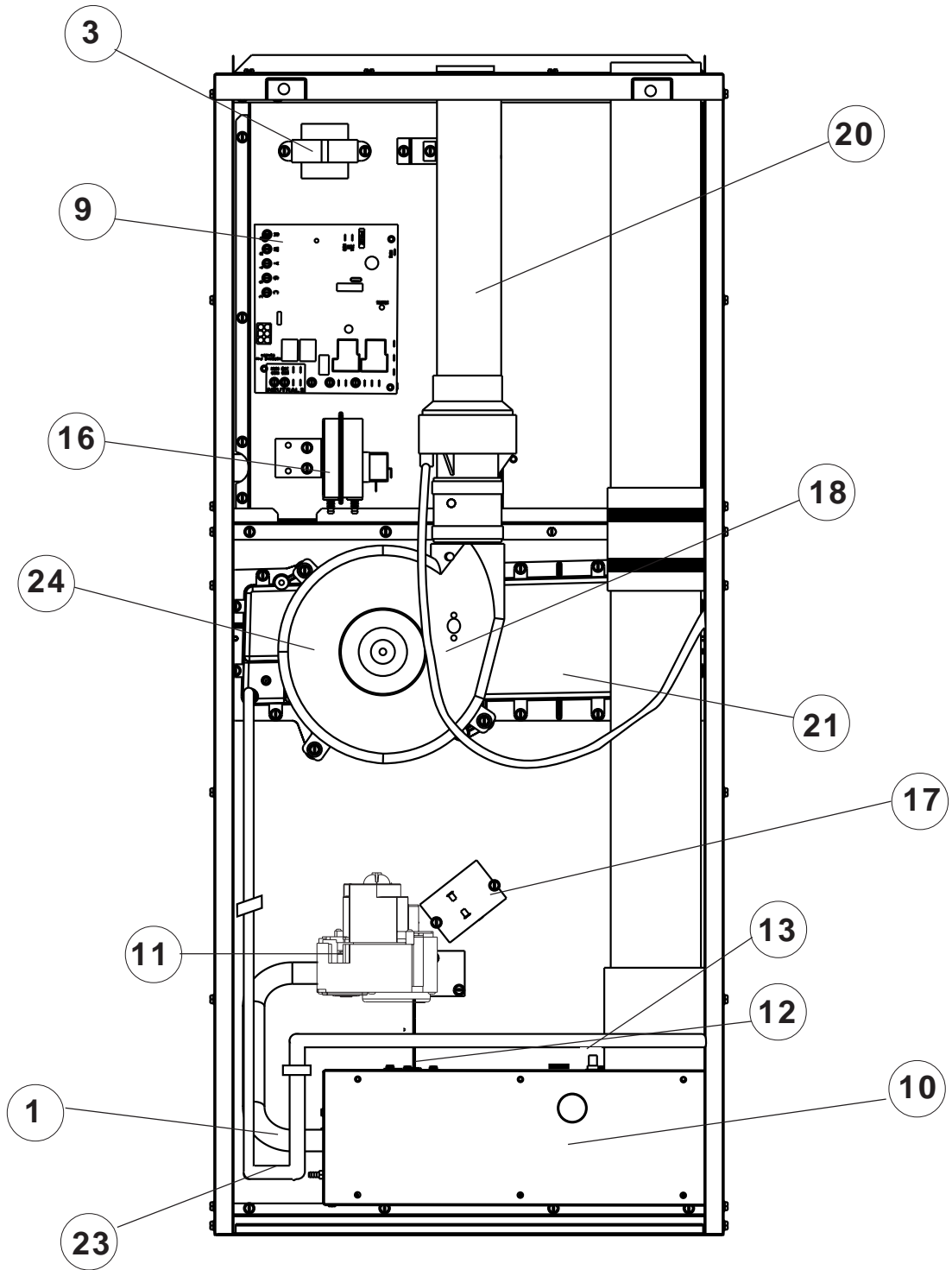


Residential 90+ Downflow Condensing Furnace Model *G6RL

ITEM NO.	DESCRIPTION	040()-12	060()-12	080()-16	100()-16
1	Manifold	663647	663648	663649	663650
2	Access Door with Louvers (Not Shown)	903115	903115	903116	903116
3	Transformer	621486	621486	621486	621486
4	Blower Assembly (Not Shown)	902814	902814	902815	902815
5	Motor-1/3 H.P. (Not Shown)	902127	902127		
	Motor-1/2 H.P. (Not Shown)			902128	902128
6	Blower Wheel CCW (Not Shown)	667251	667251	667271	667271
7	Capacitor, 5 MFD, 370V (Not Shown)	621433	621433		
	Capacitor, 10 MFD, 370V (Not Shown)			621435	621435
8	Heat Exchanger Assembly (Not Shown)	D00601R	D00602R	D00603R	D00604R
9	Integrated Control Board	903106	903106	903106	903106
10	Burner Box Assembly	D04100R	D04110R	D04120R	D04130R
11	Gas Valve	624586	624586	624586	624586
12	Ignitor Flat	903758	903758	903758	903758
13	Flame Sensor	632316	632316	632316	632316
14	Orifice Natural Gas, #45 (Not Shown)	661045	661045	661045	661045
15	Inshot Burner (Not Shown)	660812	660812	660812	660812
16	Pressure Switch	632304	632304	632252	632252
17	Limit Switch (140°F)		626446	626446	
	Limit Switch (150°F)	626418			626418
18	Blower, Inducer (with gasket)*	903962	903962	903962	903962
18a	Blower, Inducer (with gasket)	902977	902977	902977	902977
19	Orifice, Inducer (Not Shown)	151881R	151887R	151888	151888R
20	In-Line Drain Assembly	663714	663714	663714	663714
21	Box, Header Outlet With Sealant	903105	903105	903104	903104
22	Switch, Door (Not Shown)	632125	632125	632125	632125
23	J Trap Hard Tube	663706	663706	663706	663706
24	Vent Safety Limit Switch (160F)	626461	626461	626461	626461
25	Roll-Out Limit Switch (155F) (Not Shown)	626422	626422	626422	626422
26	Limit Switch, Auxillary (120F) (Not Shown)	626444	626444	626444	626444
27	Turbulator (Not Shown)	D01220	D01220	D01220	D01220

* Note: Effective Date: 09/01/01

*G6RL 90+ Downflow

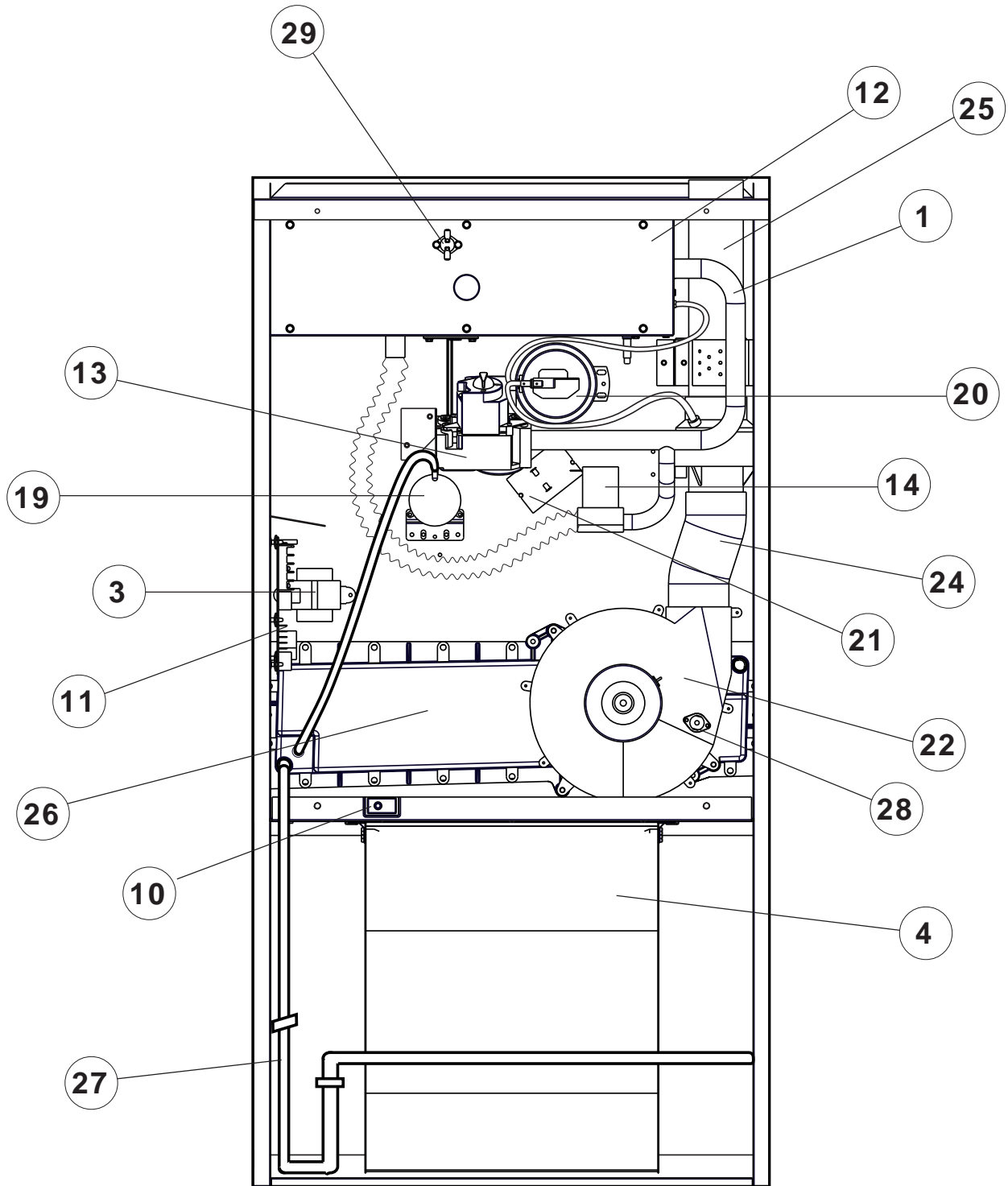


**Residential 90+ 2-Stage Upflow Condensing Furnace
Model *G6TC**

ITEM NO.	DESCRIPTION	092()-VB	110()-VC
1	Manifold	663835	663836
2	Access Doors with Louvers, Set (Not Shown)	903113	903114
3	Transformer	621486	621486
4	Blower Assembly	903837	903837
5	Motor - 3/4 HP (4 Speed) (Not Shown)	621892	621892
6	Blower Wheel CCW (Not Shown)	667280	667280
7	Motor Mount 3/4 Motor (Not Shown)	668926	668926
8	Motor Mount Arm (Not Shown) 3 Required	668927	668927
9	Heat Exchanger Assembly (Not Shown)	M0000227R	M0000228R
10	Switch, Door	632125	632125
11	Control, Integrated	903106	903106
12	Burner Box Assembly	M0000425R	M0000426R
13	Gas Valve - Primary	624586	624586
14	Solenoid Gas Valve - Secondary	624624	624624
15	Ignitor Flat	903758	903758
16	Flame Sensor (Not Shown)	632316	632316
17	Orifice Natural Gas, #47 (Not Shown)	661047	661047
18	Inshot Burner (Not Shown)	660812	660812
19	Pressure Switch - Normally Open	632372	632372
20	Vent Pressure Switch - Normally Closed	632370	632370
21	Limit Switch (210°F)	626425	626425
22	Blower, Inducer (with gasket)*	903962	903962
22a	Blower, Inducer (with gasket)	902977	902977
23	Orifice, Inducer (Not Shown)	151888R	151888R
24	Coupling Neoprene	663709	663709
25	In-Line Drain Assembly	663850	663850
26	Box, Header Outlet Plus Sealant	903104	903103
27	J Trap Hard Tube	663706	663706
28	Vent Safety Limit Switch	626461	626461
29	Roll-Out Limit Switch	626422	626422
30	Turbulator (Not Shown)	D01220	D01220
31	Hose, High-Temperature Silicone (Not Shown)	263967	263967
32	Fuse, 3-Amp (Not Shown)	632261	632261

* Note: Effective Date: 09/01/01

*G6TC 90+ Upflow



Residential 90+ 2-Stage Downflow Condensing Furnace Model *G6TL

ITEM NO.	DESCRIPTION	092(-)VB
1	Manifold	663837
2	Access Door with Louvers (Not Shown)	903116
3	Transformer	621486
4	Blower Assembly (Not Shown)	903837
5	Motor-3/4 H.P. 4 Speed (Not Shown)	621892
6	Blower Wheel CCW (Not Shown)	667280
7	Motor Mount 3/4 Motor (Not Shown)	668926
	Motor Mount Arm - 3 required (Not Shown)	668927
8	Heat Exchanger Assembly (Not Shown)	M0000229R
9	Integrated Control Board	903106
10	Burner Box Assembly	M0000427R
11	Gas Valve - Primary	624586
12	Solenoid Gas Valve - Secondary	624624
13	Ignitor Flat (Not Shown)	903758
14	Flame Sensor (Not Shown)	632316
15	Orifice Natural Gas, #47 (Not Shown)	661047

ITEM NO.	DESCRIPTION	092(-)VB
16	Inshot Bumer (Not Shown)	660812
17	Pressure Switch - Normally Open	632372
18	Vent Pressure Switch - Normally Closed	632370
19	Limit Switch - 120	626505
20	Blower, Inducer (with gasket)*	903962
20a	Blower, Inducer (with gasket)	902977
21	Orifice, Inducer (Not Shown)	151888R
22	In-Line Drain Assembly	663850
23	Box, Header Outlet With Sealant	903104
24	Switch, Door (Not Shown)	632125
25	J Trap Hard Tube	663706
26	Vent Safety Limit Switch (160F)	626461
27	Roll-Out Limit Switch (155F) (Not Shown)	626422
28	Limit Switch, Auxillary (120F) (Not Shown)	626444
29	Turbulator (Not Shown)	D01220
30	Fuse, 3-Amp (Not Shown)	632261

* Note: Effective Date: 09/01/01

